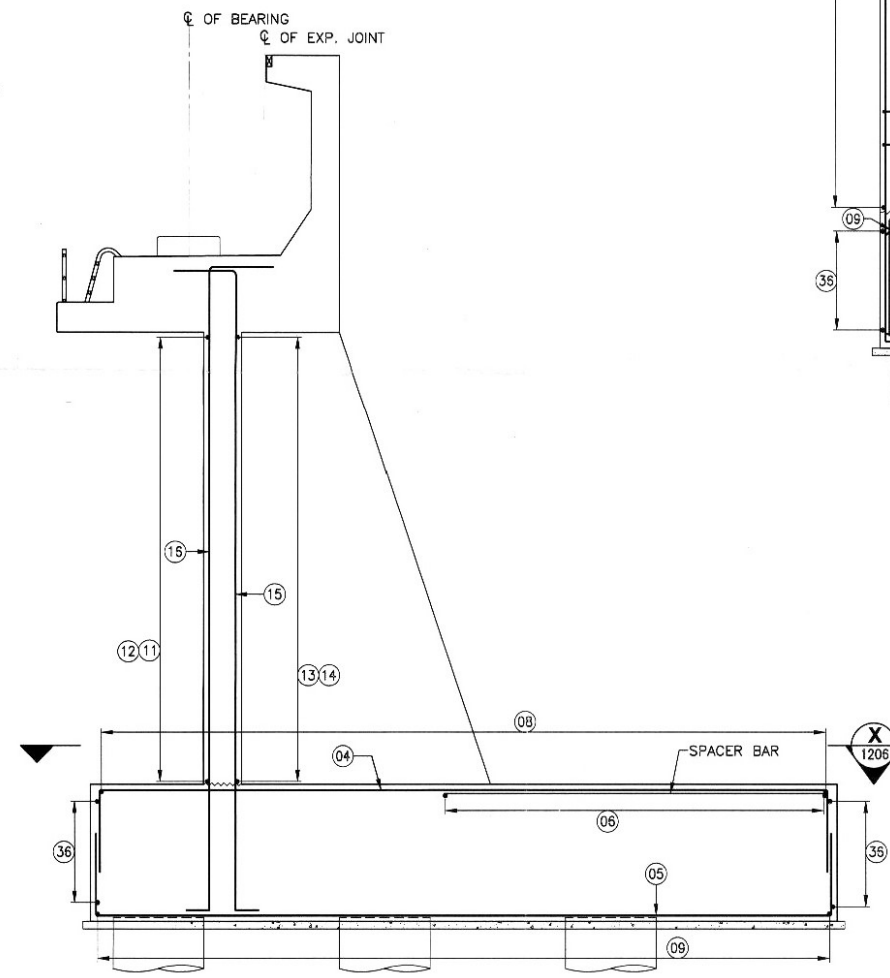
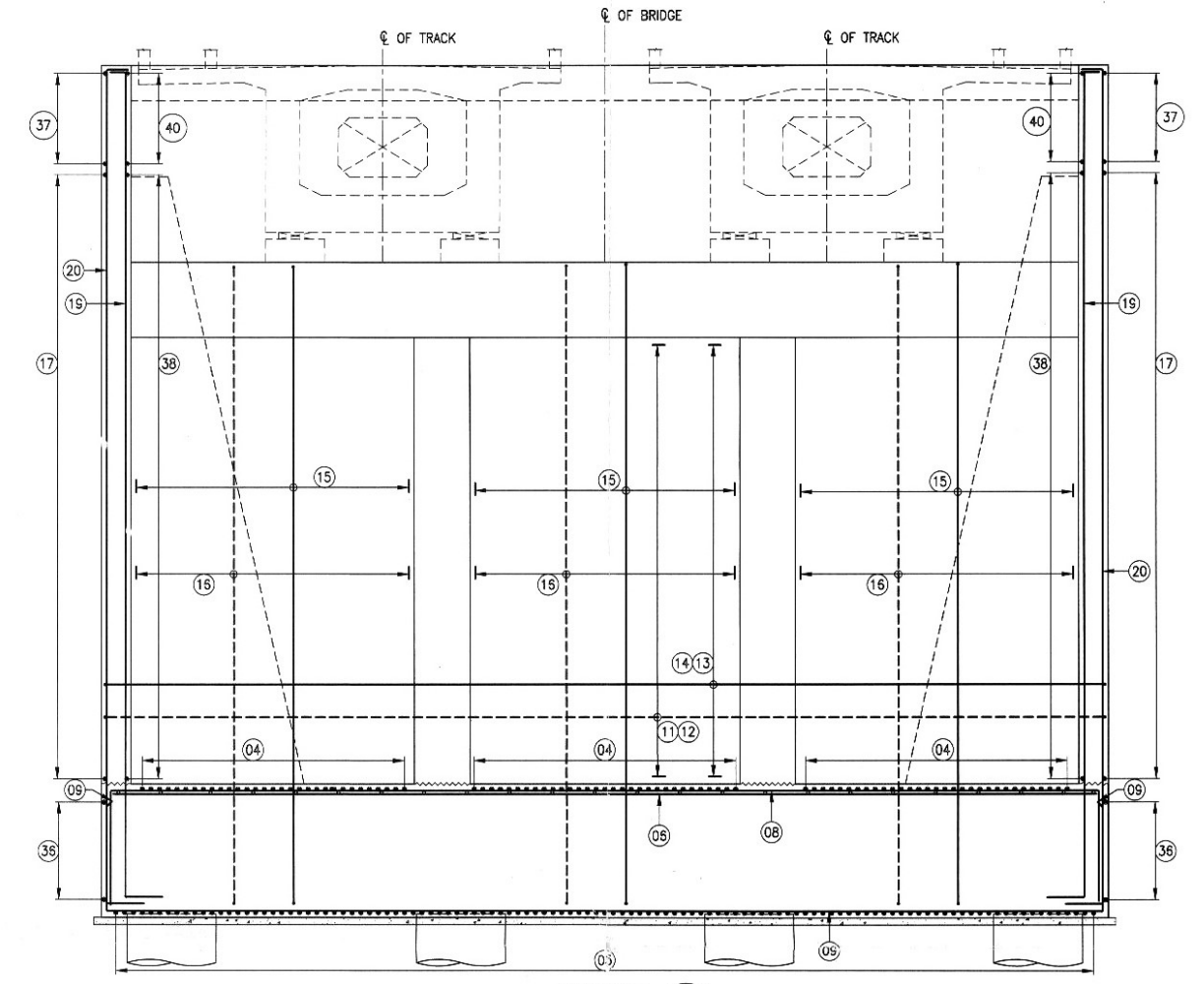


SECTION 3
SCALE 1:50 1205



SECTION 2
SCALE 1:50 1205



SECTION 4
SCALE 1:50 1205
(COUNTERFORT REINFORCEMENT ARE NOT SHOWN FOR CLARITY)

428/704/01
CONTROLLED COPY
Signature: [Signature]
Date: 10/06/15
CRE: [Signature] CPM

LEGEND:
—— TOP / INSIDE FACE REINFORCEMENT
- - - - - BOTTOM / OUTER FACE REINFORCEMENT

- GENERAL NOTES:**
1. ALL DIMENSIONS ARE IN MILLIMETERS & LEVELS ARE IN METERS.
 2. ALL DIMENSIONS ARE TO BE READ AND NOT MEASURED.
 3. ANY DISCREPANCIES MUST BE BROUGHT TO THE NOTICE OF THE CONSULTANT BEFORE EXECUTION OF WORK AT SITE.
 4. GRADE OF CONCRETE M40.
 5. GRADE OF REINF. Fe 500.
 6. CLEAR COVER TO ANY REINFORCEMENT SHALL BE 75mm UOS.

- REFERENCE DRAWING:**
1. SOMA-DFCC-428-C-1001 GENERAL ARRANGEMENT
 2. SOMA-DFCC-428-C-1201 DIMENSION DETAIL OF ABUTMENT-'A1' AND 'A2'
 3. SOMA-DFCC-428-C-1206 REINFORCEMENT DETAIL OF ABUTMENT-'A1' AND 'A2' SHEET 1 OF 2
 4. SOMA-DFCC-CD-C-1005 GENERAL NOTES FOR FOUNDATION, SUBSTRUCTURE AND MISCELLANEOUS WORKS
 5. SOMA-DFCC-428-C-1101 PILE LAYOUT AND PILE REINFORCEMENT FOR ABUTMENT 'A1' AND 'A2'

REV.	PARTICULARS	DRN.	CHD.	VER.	DATE

CONTRACTOR :
SOMA ENTERPRISE LTD.
SOMA MERIT, 9, VENKATESHWAMY NAIDU STREET, TASKER TOWN, SHIVAJI NAGAR, BANGALORE - 560 051, KARNATAKA, INDIA.
TEL. NO. : +91-80-4025 4545, FAX NO. : +91-80-2298 4545
E-mail : smabr@somaenterprise.com

CONSULTANTS :
TANDON CONSULTANTS PVT. LTD.
17, LINK ROAD, JANGPURA EXTN, NEW DELHI - 110014.
Tel : 24317684, 24310509, 24319288 Fax : 24316057
E-mail : tandon@tclpi.com & tclpi_123@yahoo.com

PROOF CONSULTANTS :
STUP Consultants Pvt. Ltd.

OFFICE OF ORIGIN

PM/Dy CPM: [Signature] P.S. 10.06.15
CPM: [Signature]
TCPL: [Signature]
PMC: [Signature]
SEL: [Signature] 27.04.2015

<p>DFCC</p> <p>DRAWN BY: KAMAL</p> <p>CHECKED BY: SKH</p> <p>VERIFIED BY: NG</p> <p>DATE OF ISSUE: 20.04.2013</p>	<p>CLIENT: DEDICATED FREIGHT CORRIDOR CORPORATION OF INDIA LTD.</p> <p>PROJECT: WESTERN FREIGHT CORRIDOR : MAJOR BRIDGES BETWEEN VAITARNA AND UTRAN ON VASAI - BHARUCH SECTION</p> <p>BRIDGE NO. : BRIDGE NO. - 193 OF SURAT UNIT (EXISTING BRIDGE NO.428)</p> <p>DRAWING TITLE : REINFORCEMENT DETAIL OF ABUTMENT-'A1' AND 'A2' (SHEET 2 OF 2)</p>
<p>CONTRACTOR REVISION NO.</p>	<p>Doc. No: SOMA-DFCC-428-C-1207</p> <p>REV: 0</p> <p>SCALE: AS SHOWN</p> <p>STATUS: APPROVAL</p>