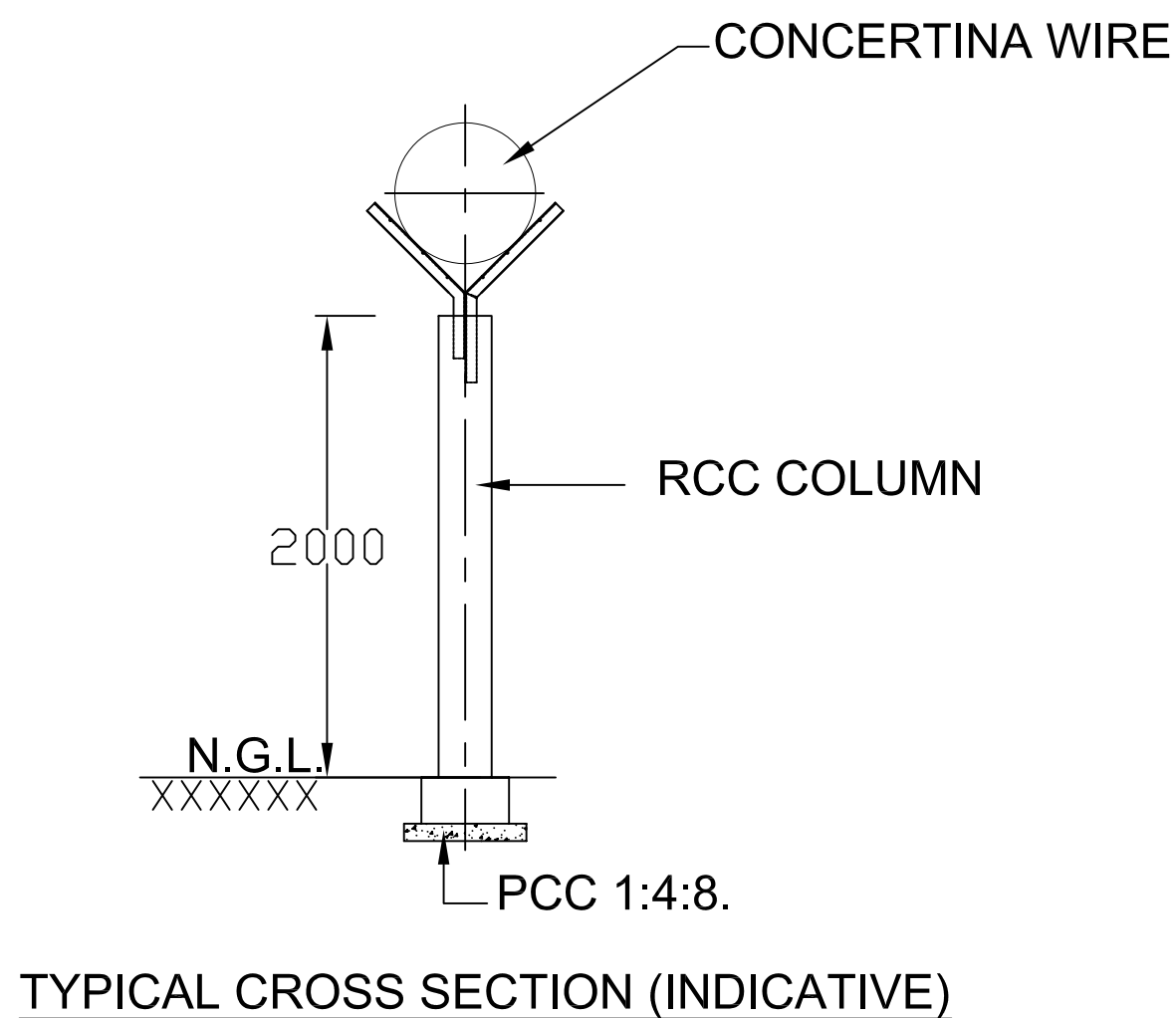
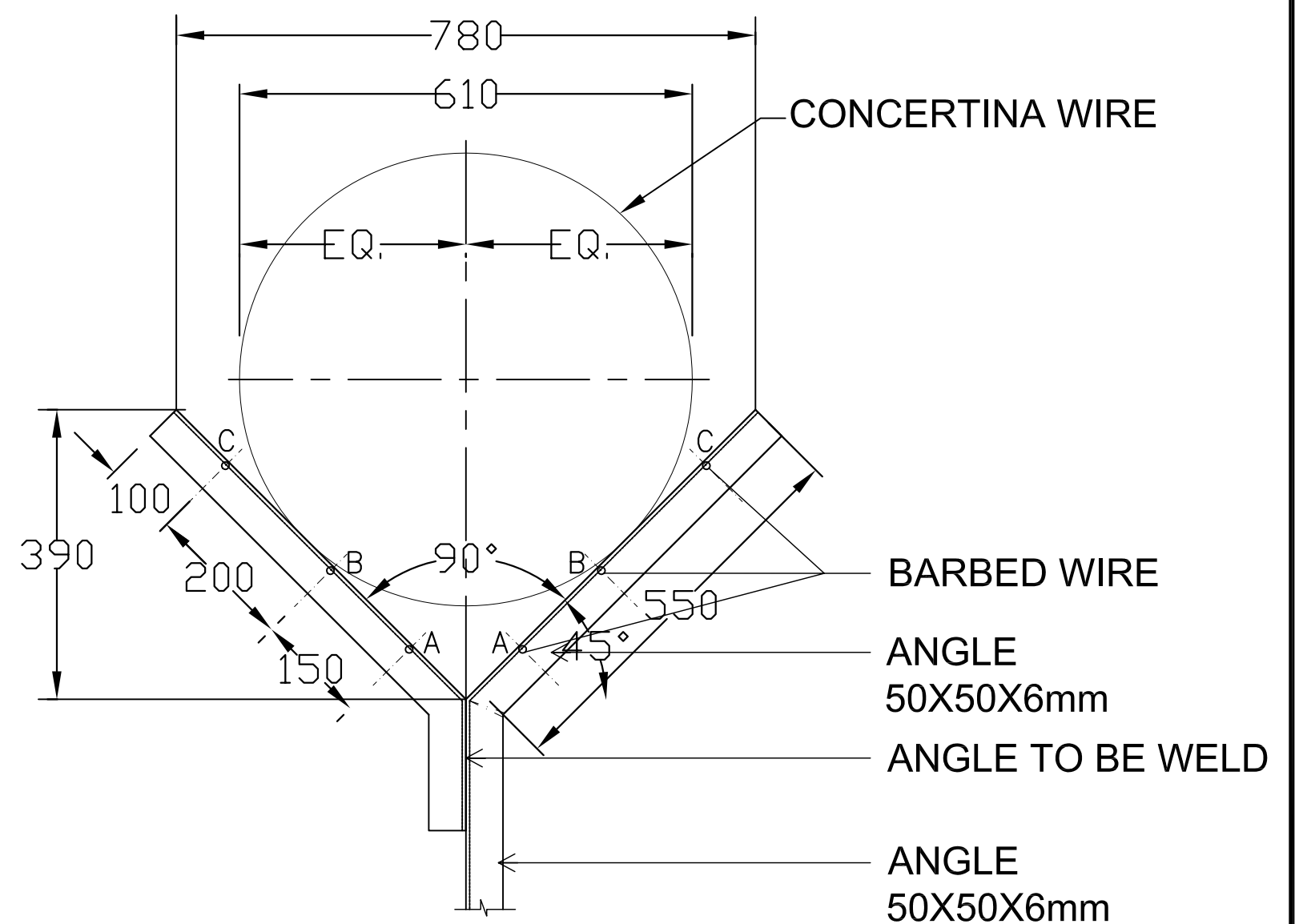


ELEVATION OF BOUNDARY WALL



TYPICAL CROSS SECTION (INDICATIVE)



DETAIL AT -Y'  
TYPICAL ARRANGEMENT OF Y - POST  
CONCERTINA WIRE 610mm DIA  
AND BARBED WIRE

NOTES:-

1. ALL DIMENSIONS ARE IN MILLIMETERS UNLESS NOTED OTHERWISE.
2. WRITTEN DIMENSIONS ARE TO BE FOLLOWED. DRAWINGS ARE NOT TO BE SCALED.
3. DEPTH OF FOUNDATION AND C/C OF RCC COLUMN WILL DEPEND UPON SITE CONDITION.

DEDICATED FREIGHT CORRIDOR CORPORATION OF INDIA LTD.



DETAIL

TYPICAL GENERAL ARRANGEMENT DRAWING FOR BOUNDARY WALL

SCALE N.T.S.

DRG.NO. DFCC/BOUNDARY WALL/TYP-001

COPYRIGHT

THIS DRAWING IS THE PROPERTY OF DFCCIL IT SHALL NOT BE REPRODUCED, COPIED, USED IN ANY MANNER OR HANDED OVER TO ANY OTHER PERSON OR PARTY, WITHOUT THE PRIOR PERMISSION OF DFCCIL