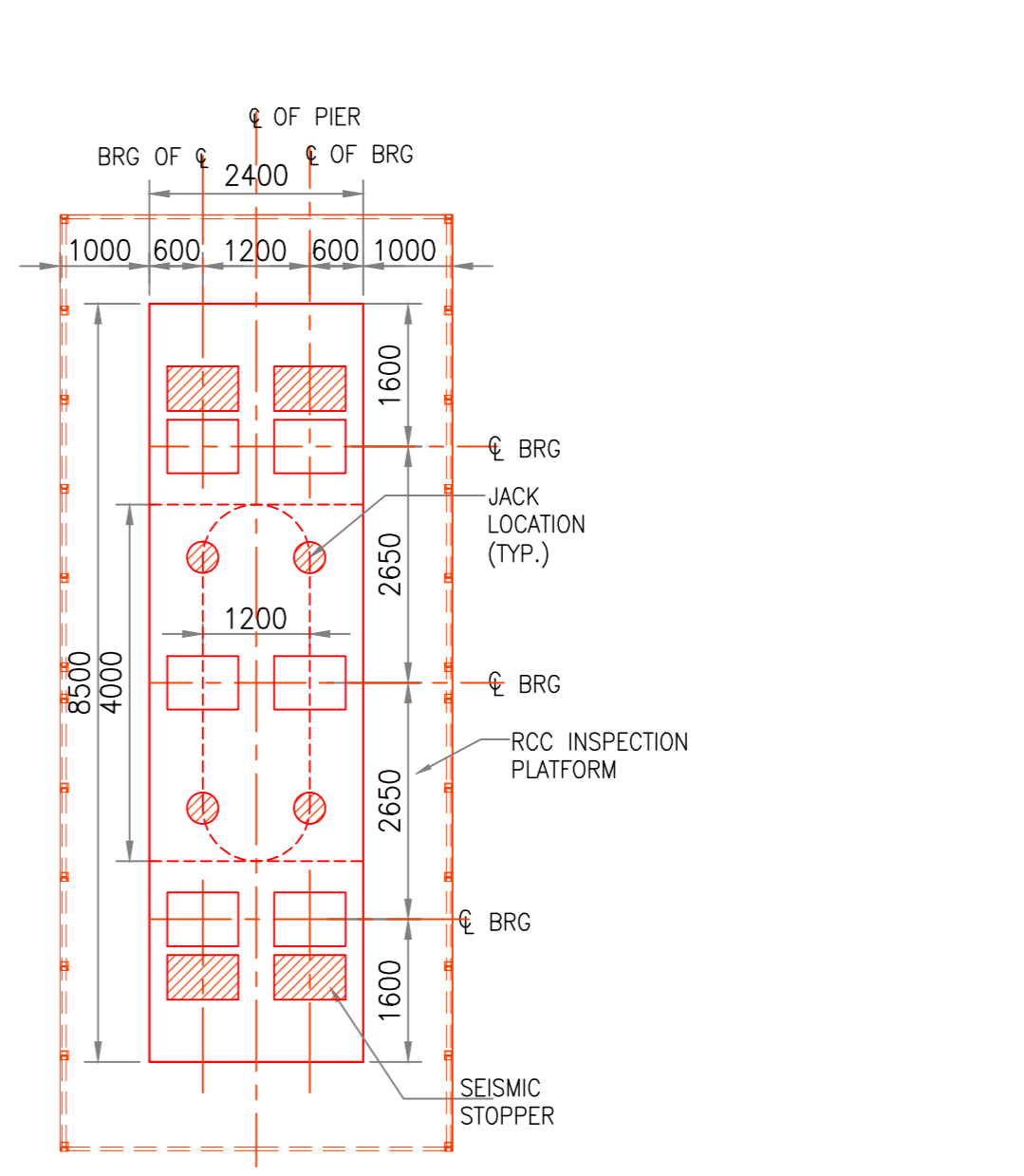
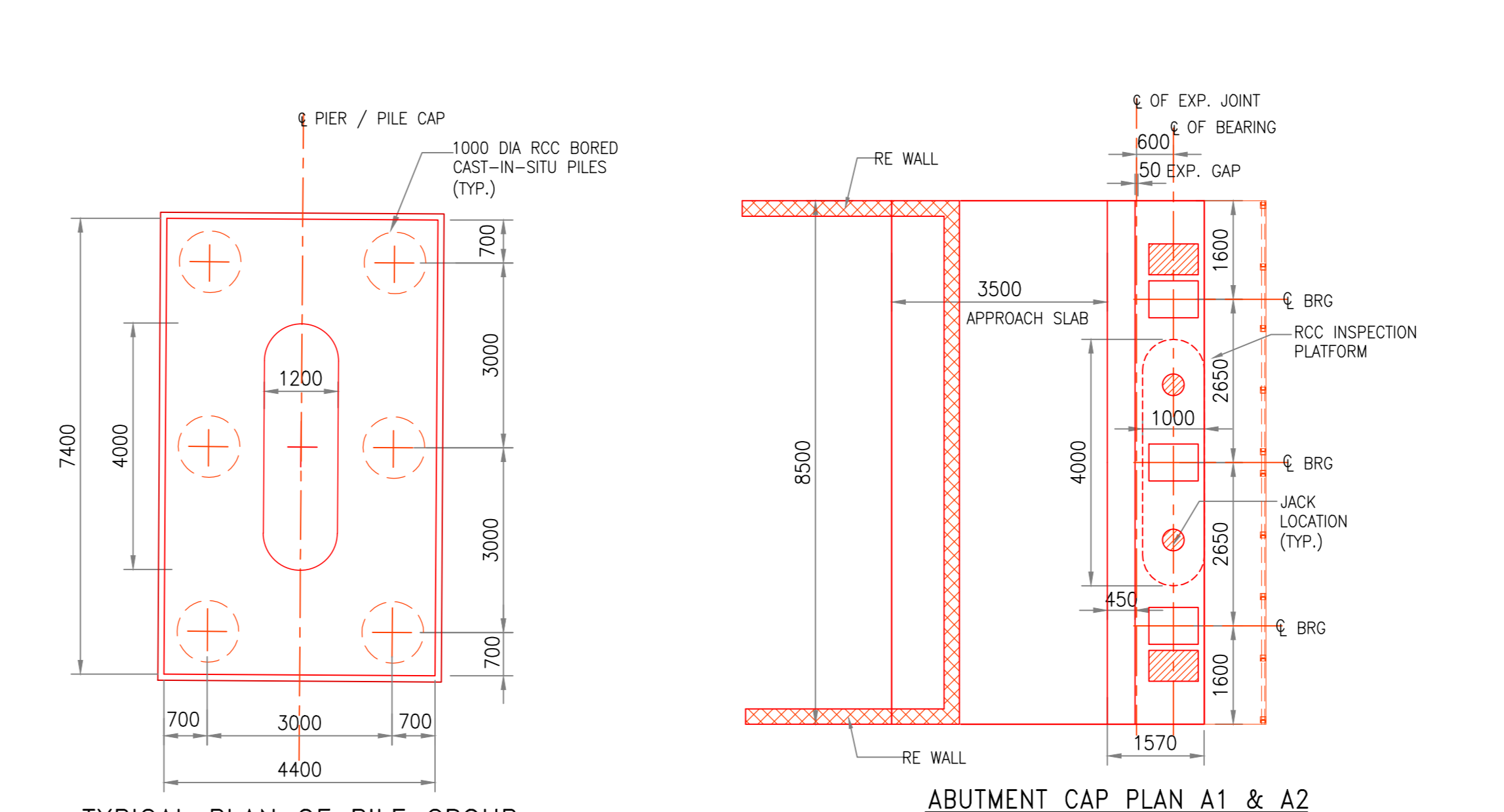
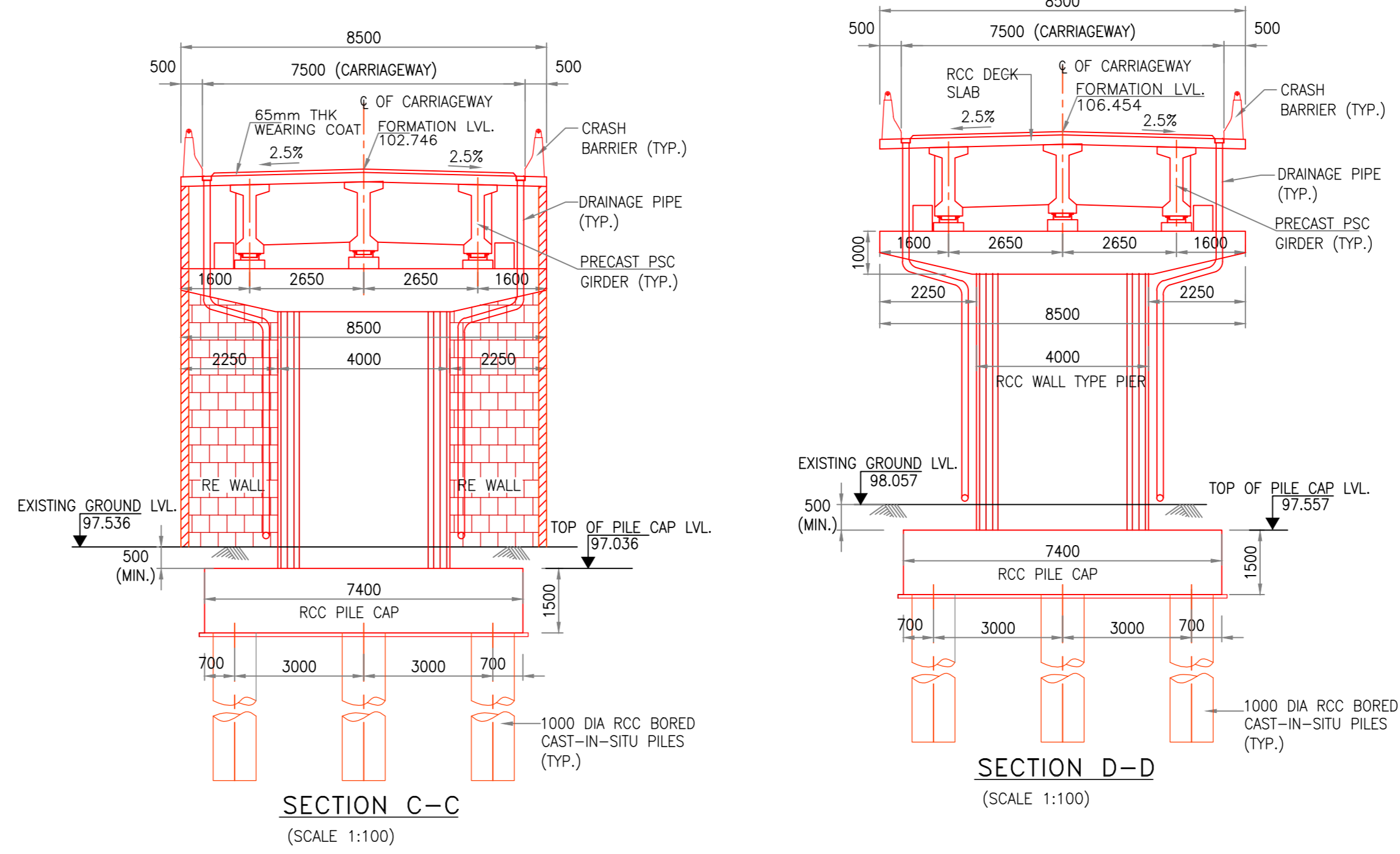
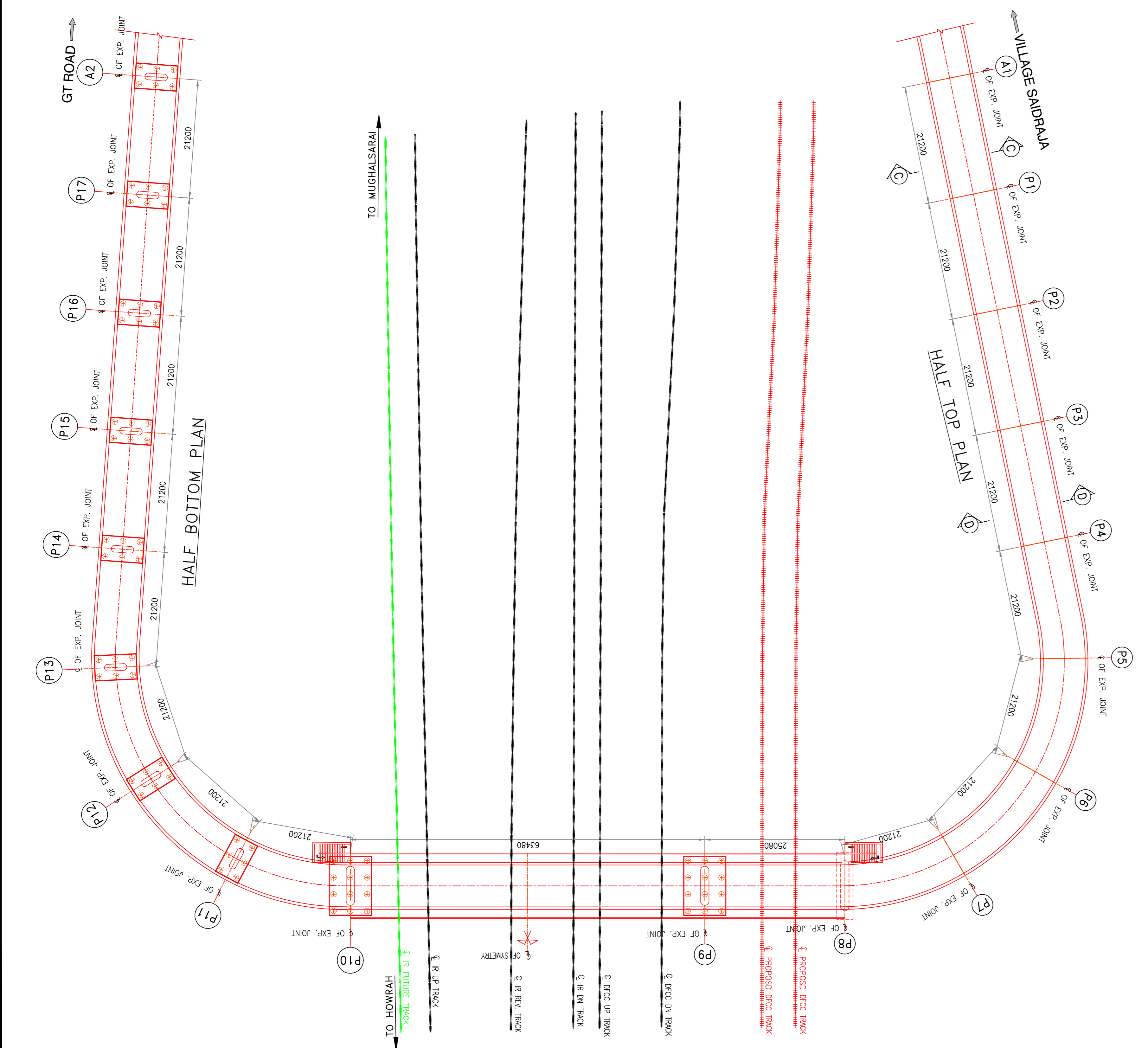
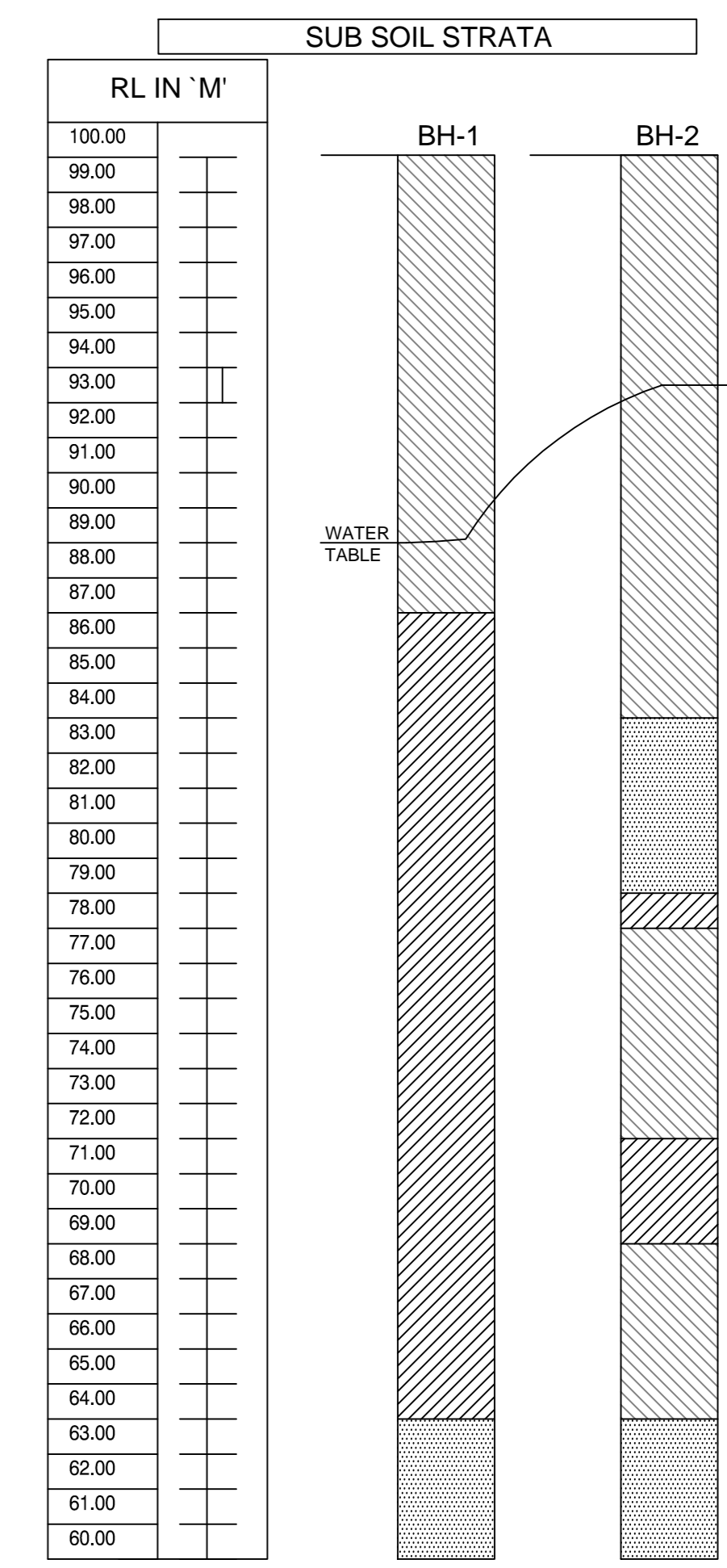


Bore Hole Details of Soil Exploration at LC - 72B

Depth (m)	Recorded 'N' Value		Cohesion 'C' & Friction Angle $\phi$	
	For BH-1	For BH-2	'C' in t/m <sup>2</sup>	$\phi$ Degree
1.50	10	8	-	-
3.00	8	7	1.00	5.20
4.50	6	10	-	-
6.00	20	14	-	-
7.50	25	18	11.50	0.00
9.00	24	21	-	-
10.50	28	16	-	-
12.00	19	24	-	-
13.50	25	27	-	-
15.00	39	30	22.00	12.50
16.50	36	37	-	-
18.00	44	43	-	-
21.00	47	22	-	-
24.00	54	29	-	-
27.00	74	34	-	-
30.00	68	43	-	-
33.00	76	34	-	-
36.00	70	64	-	-
39.55	76	81	-	-



LEGEND

- PROPOSED WORK
- EXISTING WORK
- FUTURE WORK

DATE: -	REV. NO.	REVISION
EAST CENTRAL RAILWAY		MGS DIVISION
DEDICATED FREIGHT CORRIDOR CORPORATION OF INDIA LIMITED (A GOVERNMENT OF INDIA ENTERPRISE)		
PROJECT :		
<b>GAD FOR APPROACH PORTION OF          ROB AT LC No. 72B AT Km 578/9-11</b>		
TITLE :		
<b>GENERAL ARRANGEMENT          DRAWING OF ROB AT LC No. 72B</b>		
DEALT BY: A.K.GUPTA	DATE: 13.06.18	DRG. NO.
DRAWN BY: A.S.RAWAT	SCALE: AS SHOWN	PPC/DFCC/ROB/LC 72B/ GAD/01 (Sheet 2 Of 2)
CONSULTANTS :		REV.
PARK PROJECTS CONSULTANCY PVT.LTD.		RO
NEW DELHI		

DESIGNATION	SIGNATURE	DESIGNATION	SIGNATURE
A.K. MEHRA CPM/DFCC		CE RMD PATNA	
HANESHWAR SINGH DY CPM/ENGG/DFCC		EXECUTIVE ENGINEER (RWD-1 WORK DIVISION SASARAM)	
APM/CPM/ENGG/DFCC		SUPERINTENDING ENGINEER (RWD-1 WORK DIVISION SASARAM)	
DFCCIL/MGS		STATE GOVT. BIHAR	
		PANKAJ SAXENA LDM	
		RUPES KUMAR Sr. DEN/Co-ORD/MGS	
		ALOK KUMAR Sr. DEN/MGS	
		B.K. YADAV Sr. DEN/MGS	
		OM SHANKAR PRASAD Sr. DEE/TRO/MGS	
		MGS DIVISION	