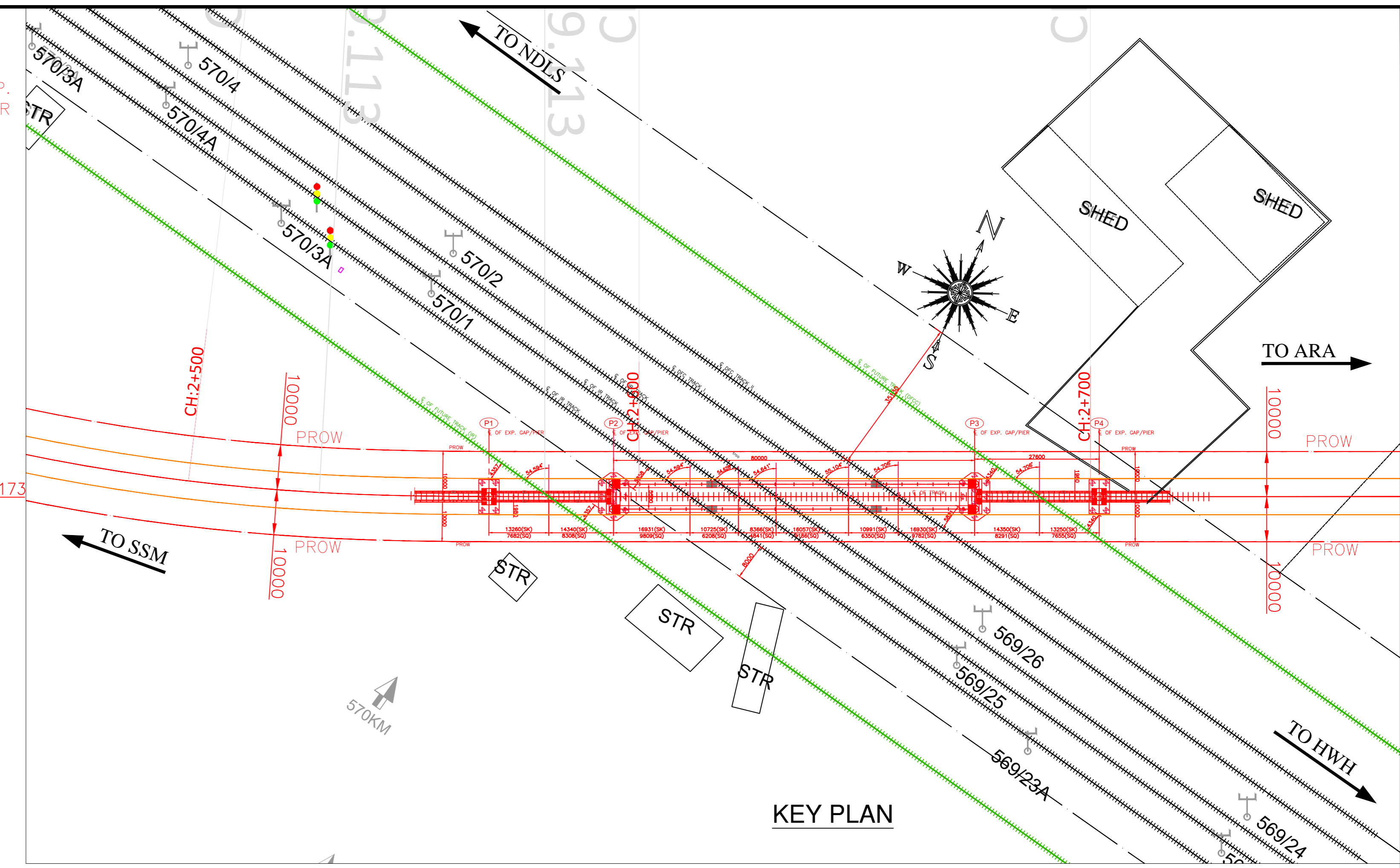
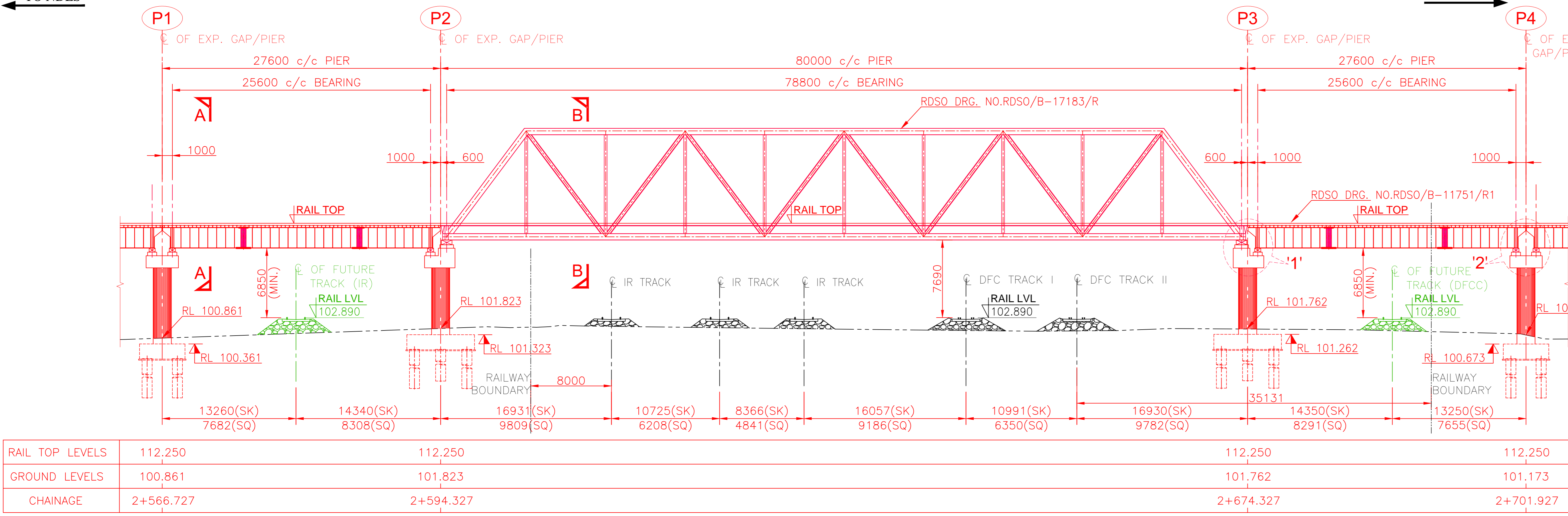


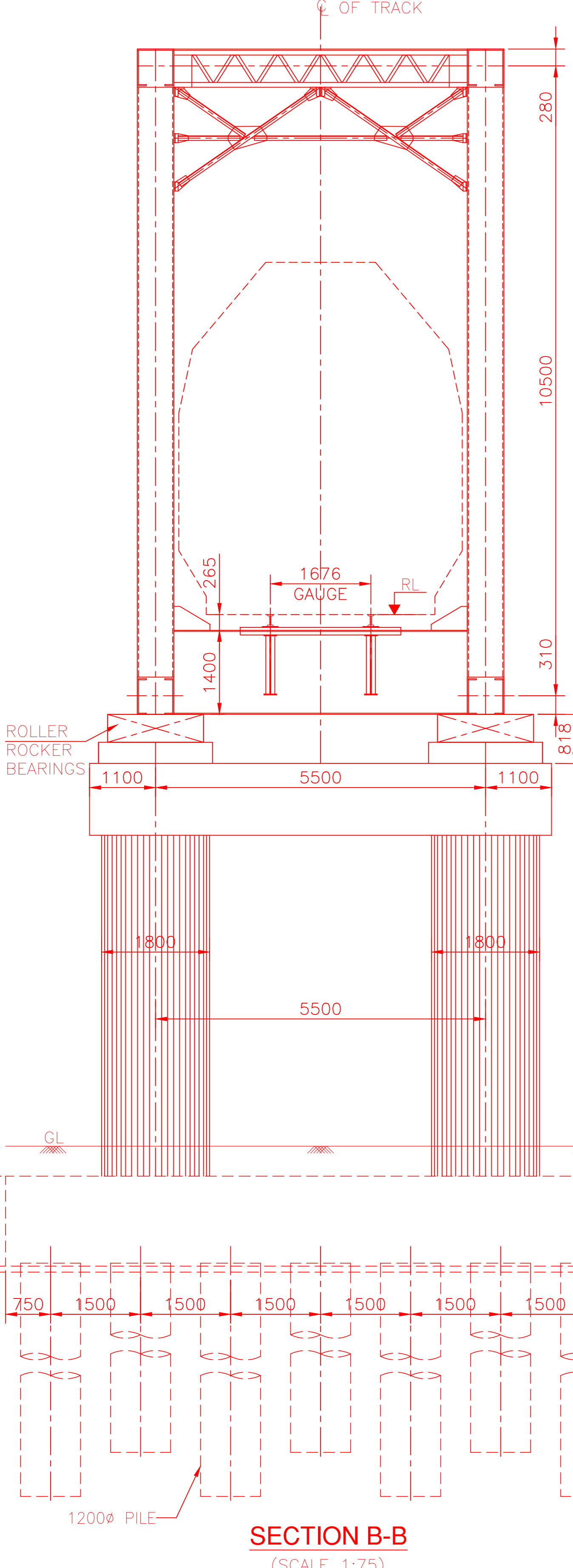
TO NDLS

TO ARA

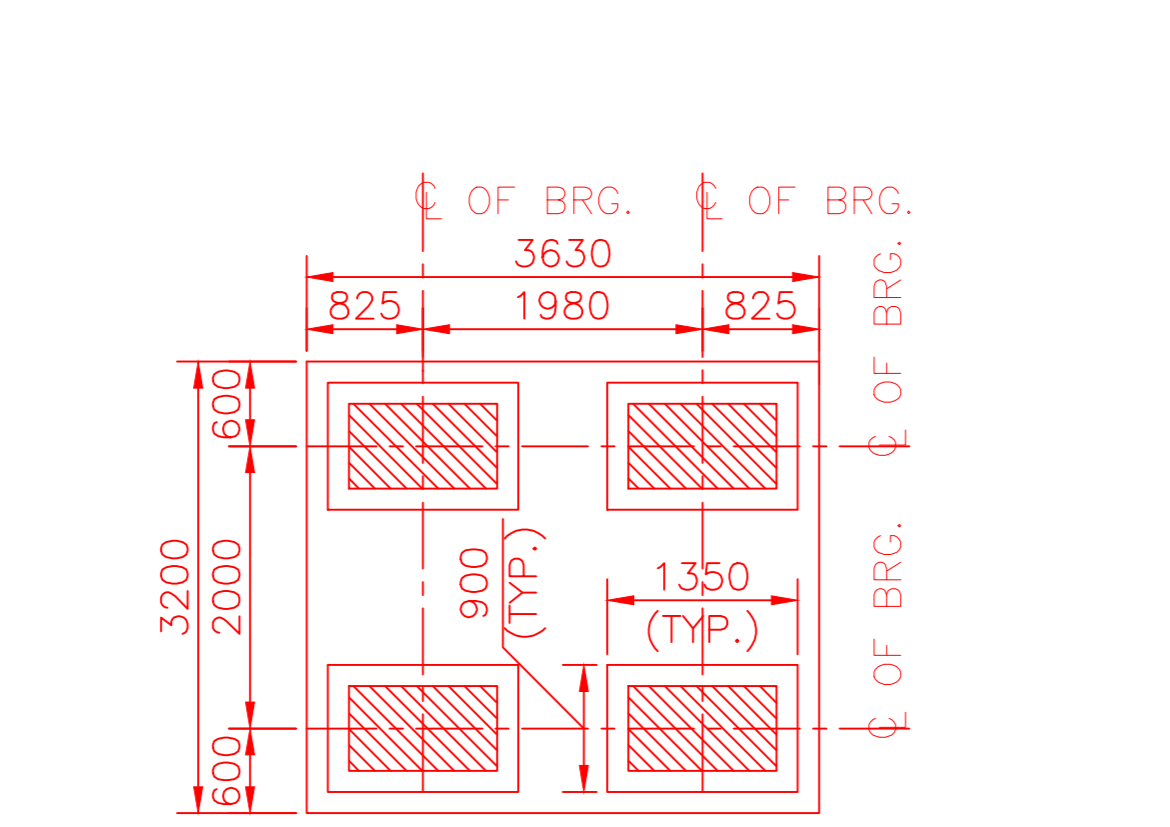


LONGITUDINAL ELEVATION (SCALE 1:300)

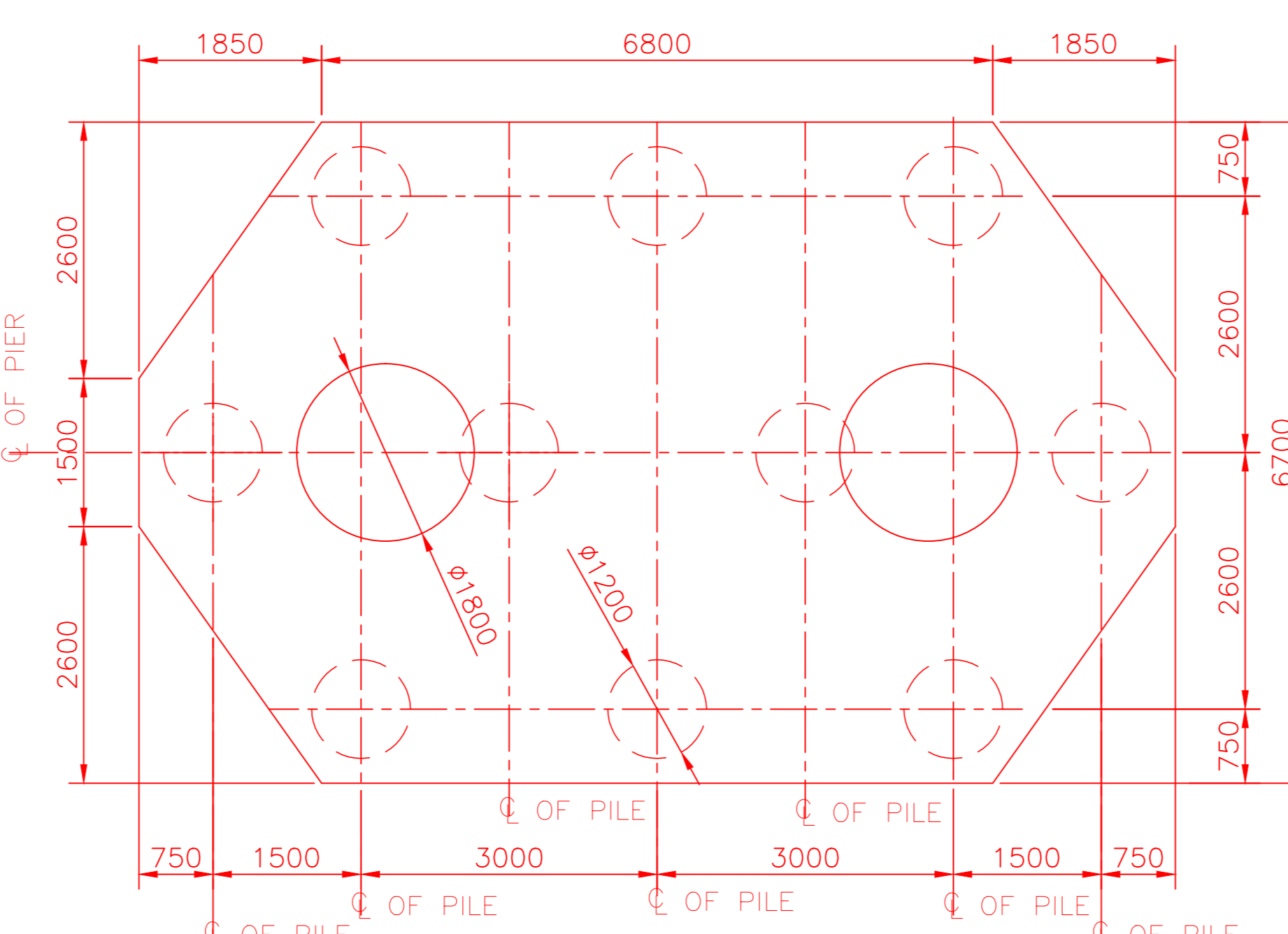
KEY PLAN



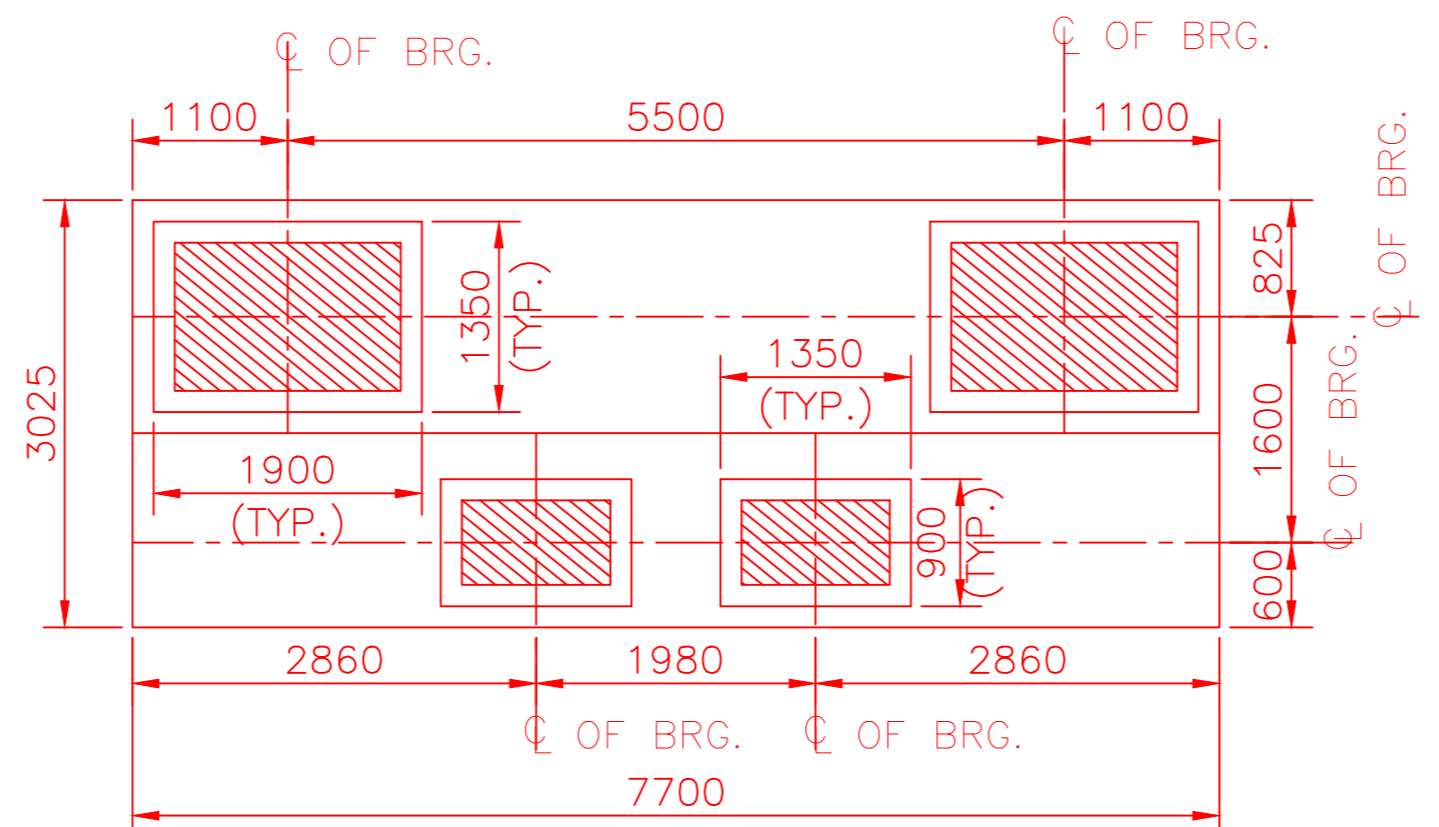
SECTION B-B (SCALE 1:75)



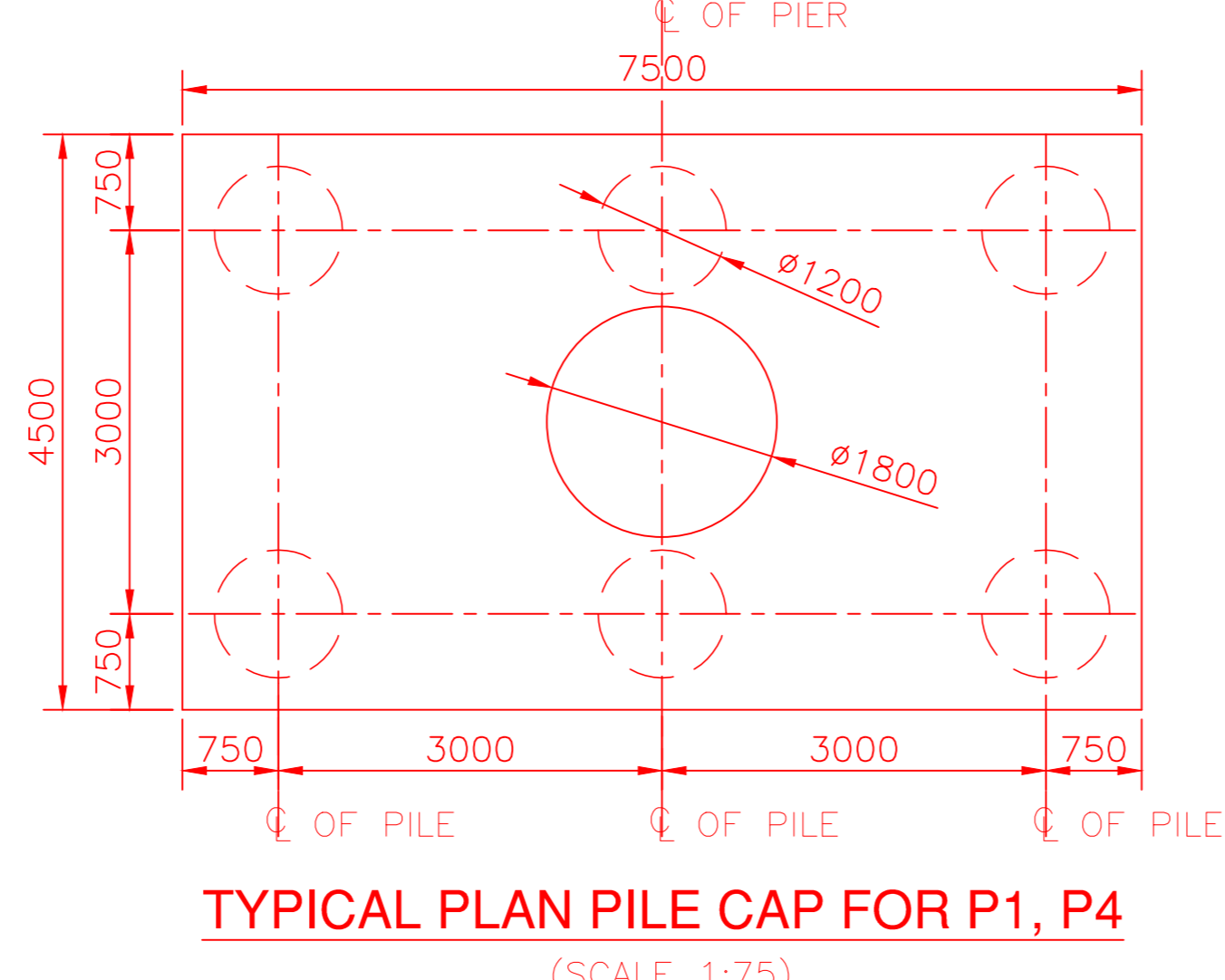
TYPICAL PLAN PIER CAP FOR P1, P4 (SCALE 1:75)



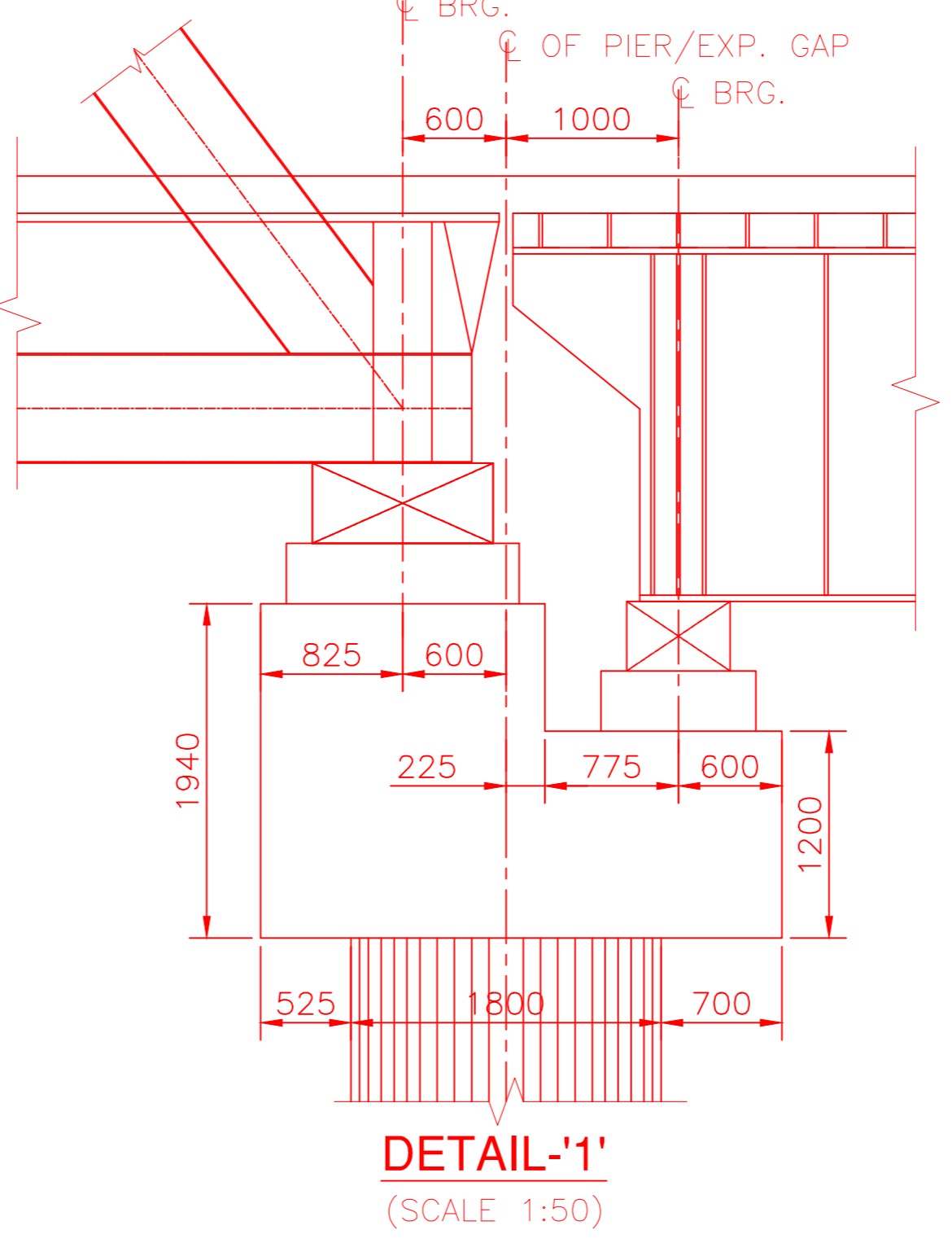
TYPICAL PLAN PILE CAP FOR P2, P3 (SCALE 1:75)



TYPICAL PLAN PIER CAP FOR P2, P3 (SCALE 1:75)



TYPICAL PLAN PILE CAP FOR P1, P4 (SCALE 1:75)

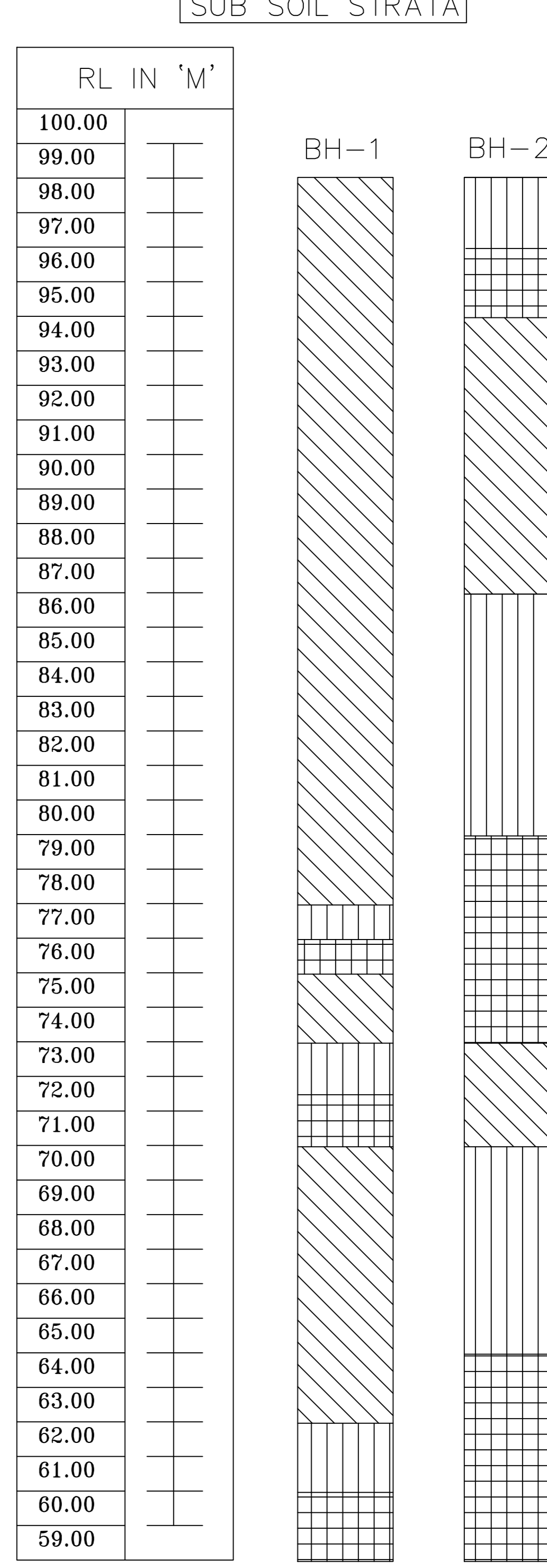


DETAIL '1' (SCALE 1:50)

Bore Hole Details of Soil Exploration

Depth (m)	Recorded 'N' Value	
	For BH-1	For BH-2
1.50	8	8
3.00	11	6
4.50	12	16
6.00	17	12
7.50	16	24
9.00	13	15
10.50	12	19
12.00	16	27
13.50	20	21
15.00	21	26
18.00	24	20
21.00	17	31
24.00	39	25
27.00	38	34
30.00	41	30
33.00	46	33
36.00	43	38
39.55	51	48

Depth (m)	Cohesion 'C' & Friction Angle Φ			
	For BH-1		For BH-2	
	'C' in t/m ²	Φ Degree	'C' in t/m ²	Φ Degree
1.00	-	-	0.36	30.00
4.00	7.10	0.00	7.50	0.00
7.00	-	-	-	-
10.00	-	-	8.50	0.00
13.00	10.70	0.00	1.10	29.00
16.00	-	-	-	-
19.00	14.50	0.00	-	-
22.00	0.65	30.00	0.78	30.00
25.00	0.55	30.00	18.5	0.00
28.00	26.60	0.00	-	-
31.00	-	-	-	-
34.00	-	-	0.91	29.00
37.00	0.78	29.00	-	-



LOADING STANDARD: IR 25T AXLE

LEGEND:-

- PROPOSED WORK
- FUTURE TRACK
- EXISTING IR & DFC TRACK

HQ ECR HJP		
(B S CHITTORIA) CBE / HJP	(MUKESH KUMAR) DY.CE / BR / D	(M A RAHMAN) AEN / BR. / D
SSE / DRG. / HJP		
MGS DIVISION OFFICIAL'S		
(PANKAJ SAXENA) DRM / MGS	(ASHOK KUMAR) SR. DEN / CO-ORD	(R K ROUSAN) SR. DOM / MGS
(ALOK KUMAR) SR. DEN-II / MGS	(B K YADAV) SR. DSTE / CO-ORD	(O P S YADAV) SR. DEE / TRD / MGS
SR. ADEN / DOS		SSE / W / DOS
DFCCIL OFFICIAL'S		
(A K MISHRA) GM/CO-ORD/MGS	(LALJI CHOUDHARY) GM/S&T/MGS	(RAMESH MAURYA) GM/ELE/MGS
(RAKESH BABU) PM/ENGG/MGS	(PRADEEP KUMAR) PM/S&T/MGS	(ANUP KUMAR) DPM/ELE/MGS
(SUMIT KUMAR) APM/ENGG/MGS	(R K PRASAD) DPM/TFC/MGS	

पूर्व मध्य रेलवे
मुगलसराय मंडल
EAST CENTRAL RAILWAY
MUGHALSARAI DIVISION

DEDICATED FREIGHT CORRIDOR CORPORATION OF INDIA LTD.

PROJECT: PROPOSED NEW RAIL FLYOVER FOR ARA LINE BETWEEN STATION SSM-KWD ON MGS-GAYA SECTION AT IR KM 569/25 TO 570/2

TITLE: GENERAL ARRANGEMENT DRAWING

SCALE: DRAWING NO. **ASC INFRA TECH PVT LTD.**

REV. NO.	DATE	STATUS	DESCRIPTION	DESIGNED	DRAWN	CHECK	DESIGN CONS. (PC.)
D							
C							
B							
A							
0							



CE'S Drg. No.-	
DRM / MGS Plan No.-	
DFCCIL Drg. No.- MGS/ENGG-SSM RFO/552/2019/R1 (SHEET 1)	