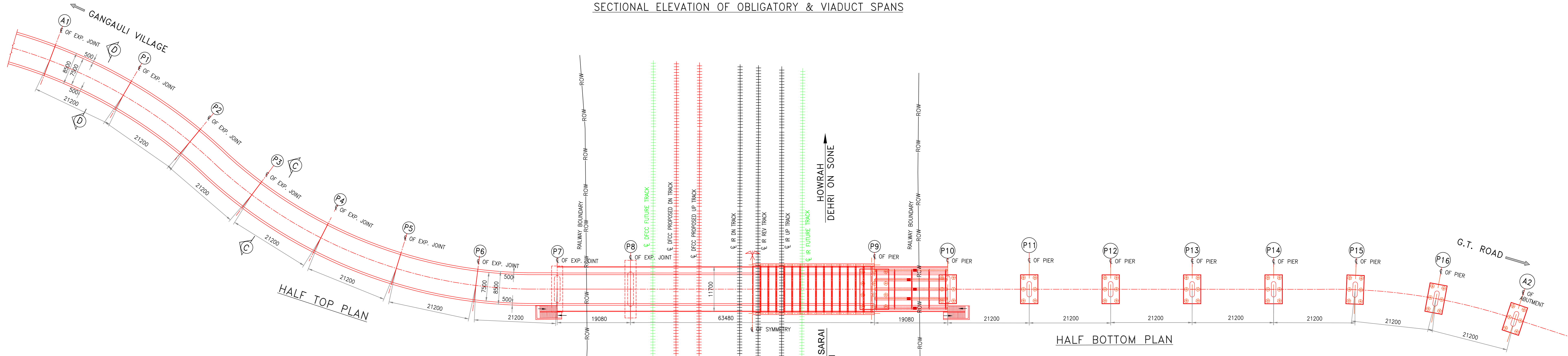
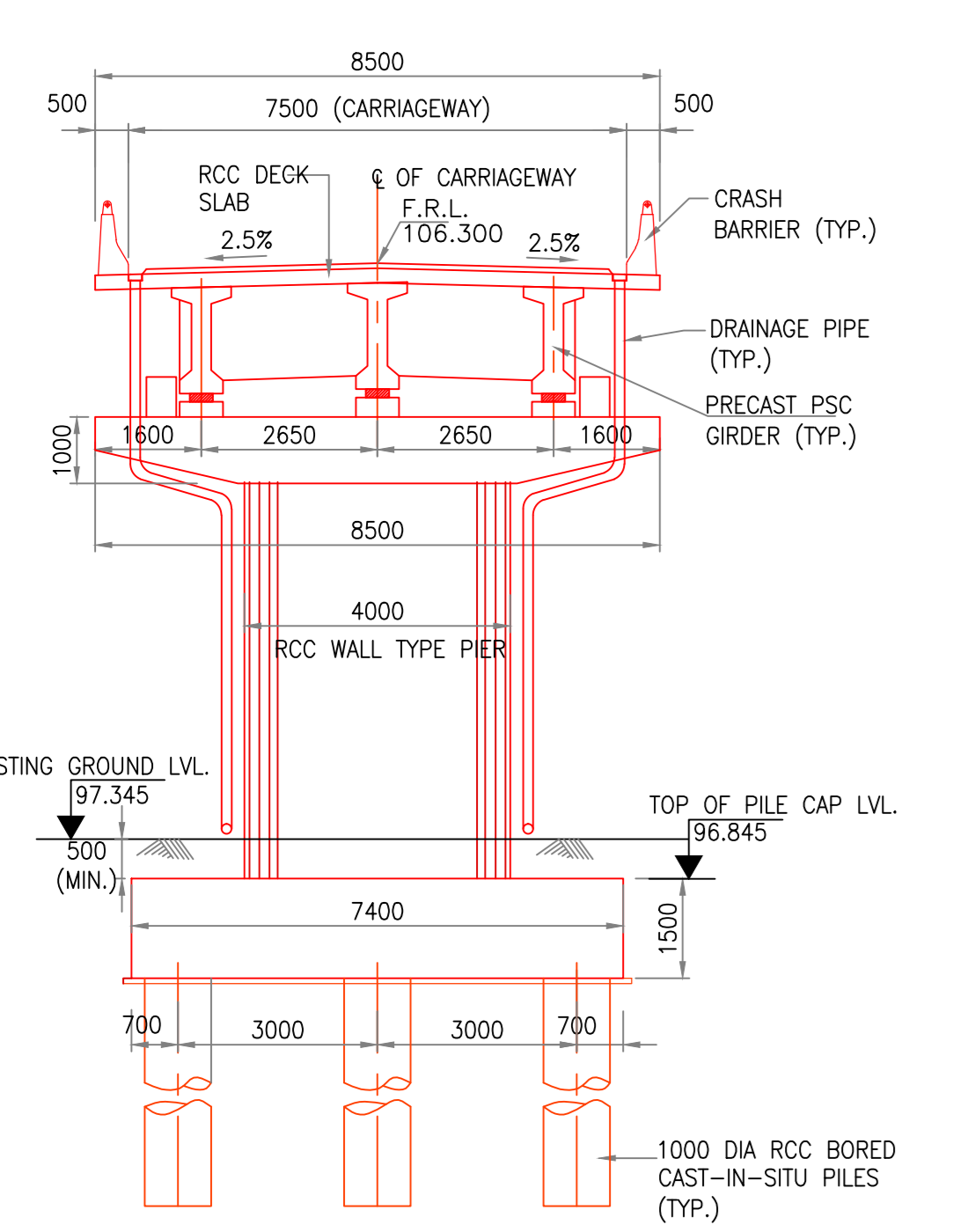


SECTIONAL ELEVATION OF OBLIGATORY & VIADUCT SPANS

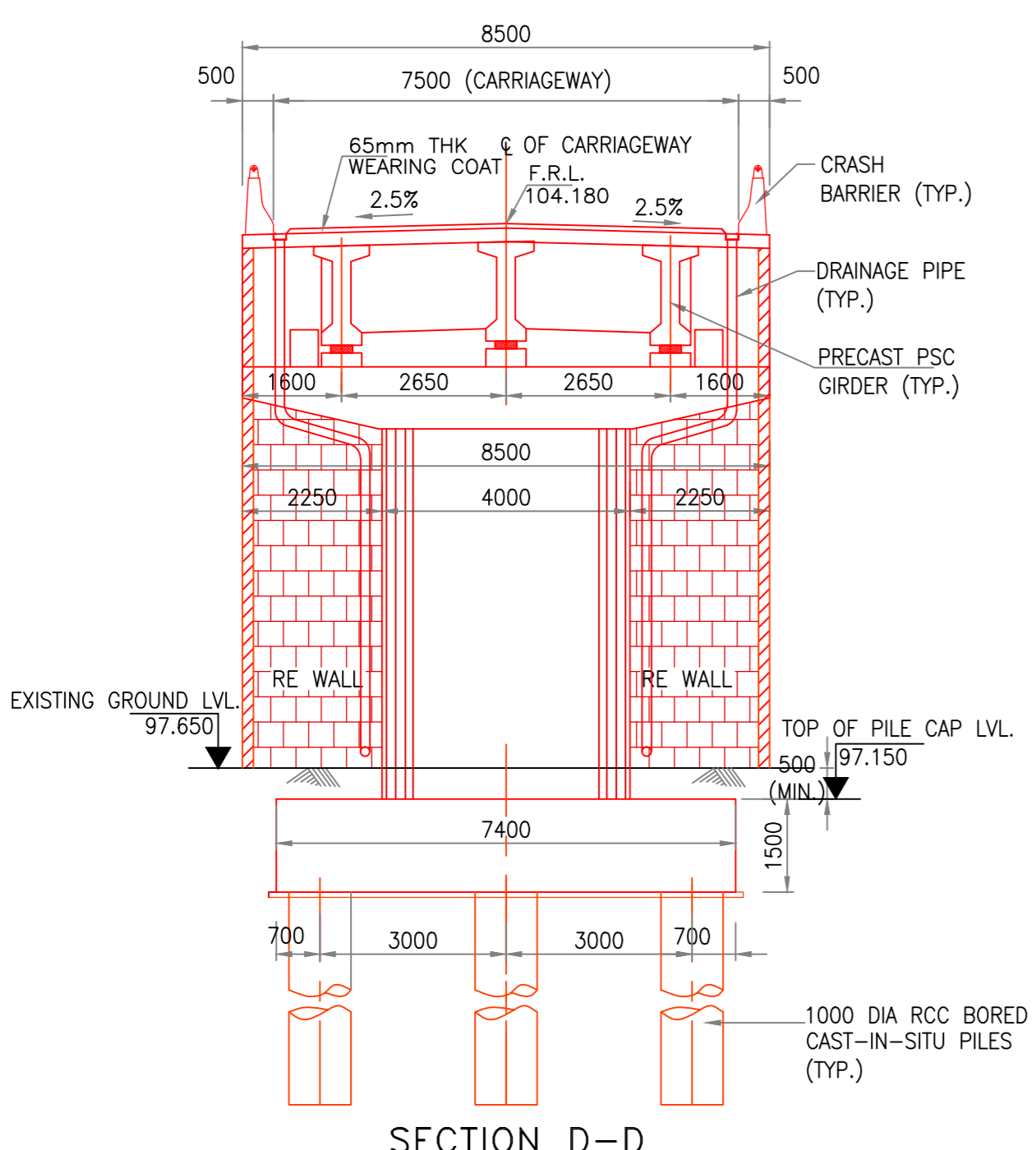


HALF TOP PLAN

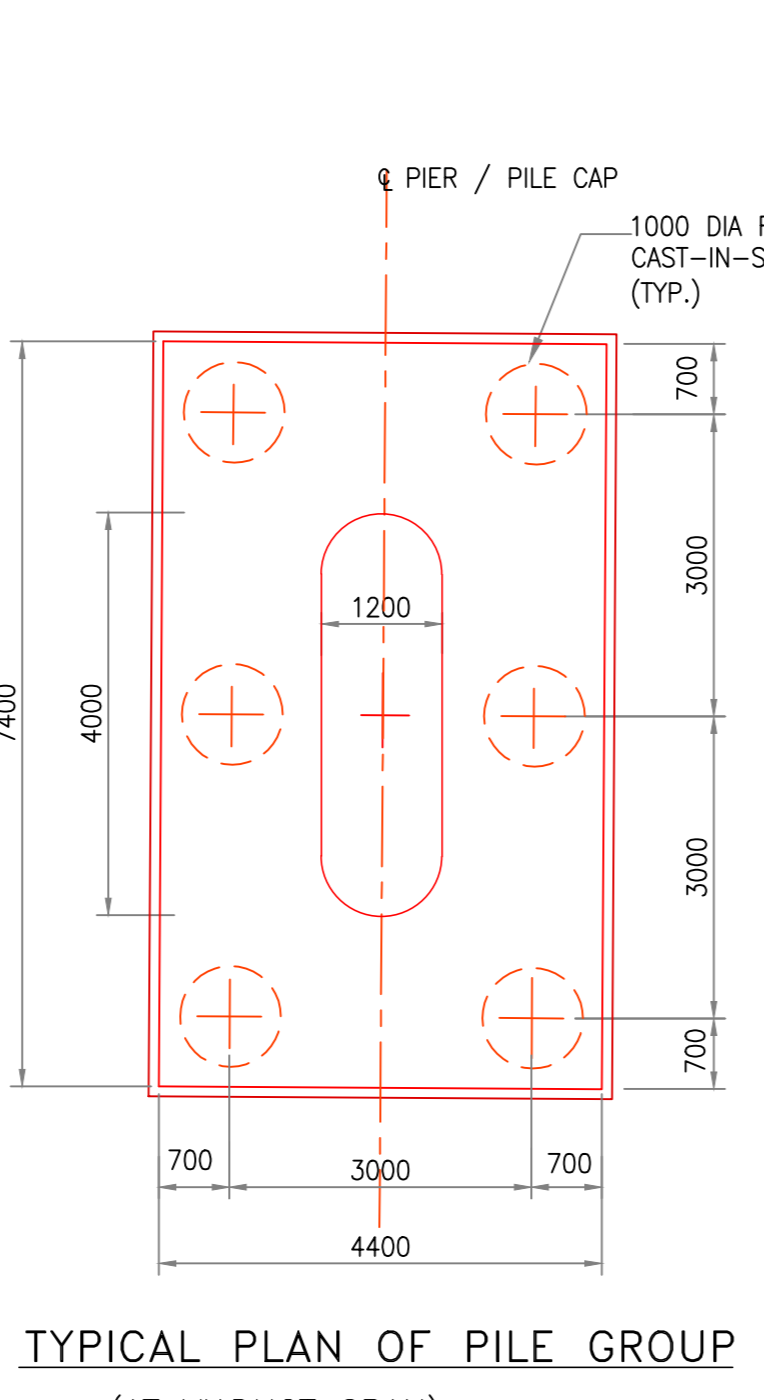
HALF BOTTOM PLAN



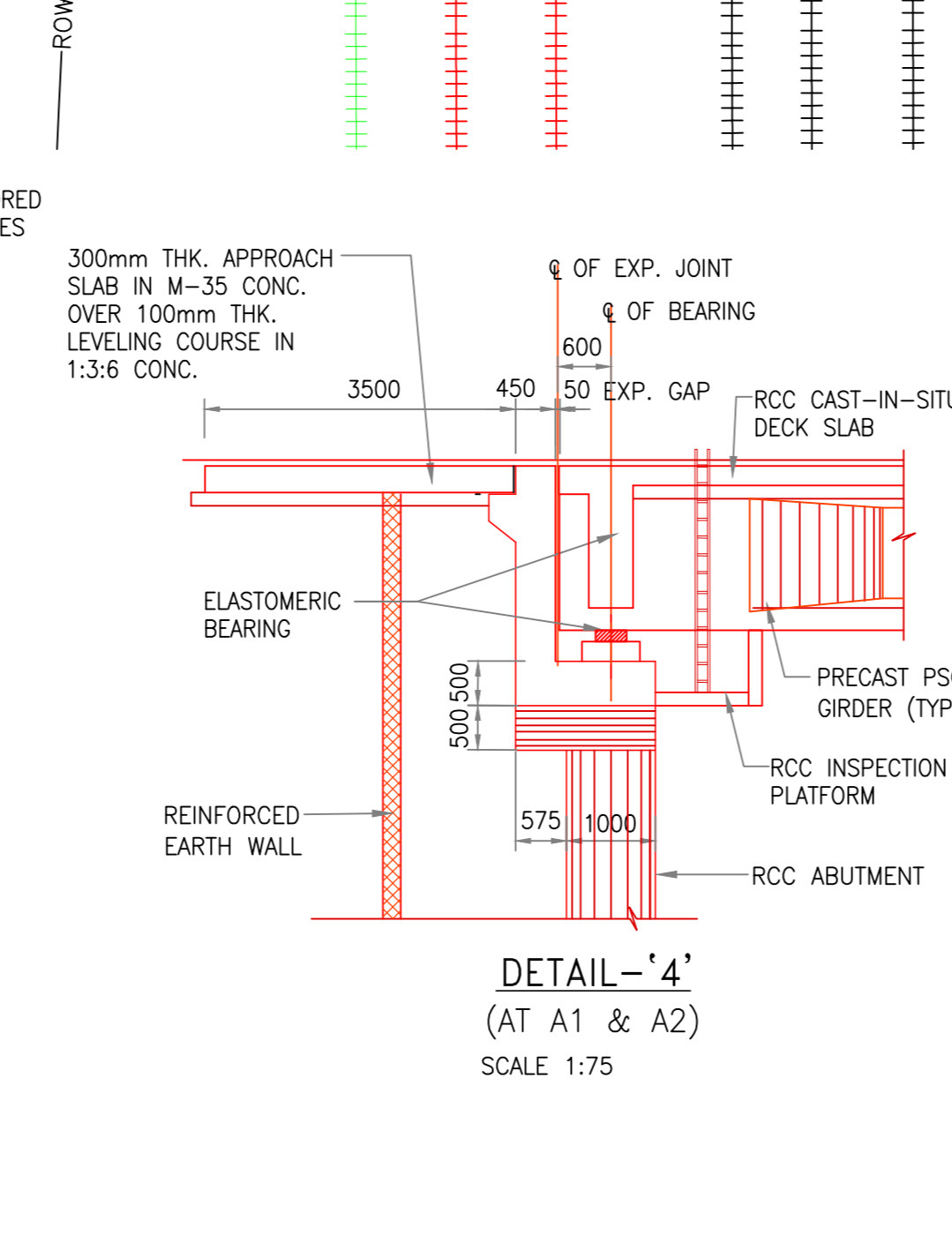
SECTION C-C (SCALE 1:100)



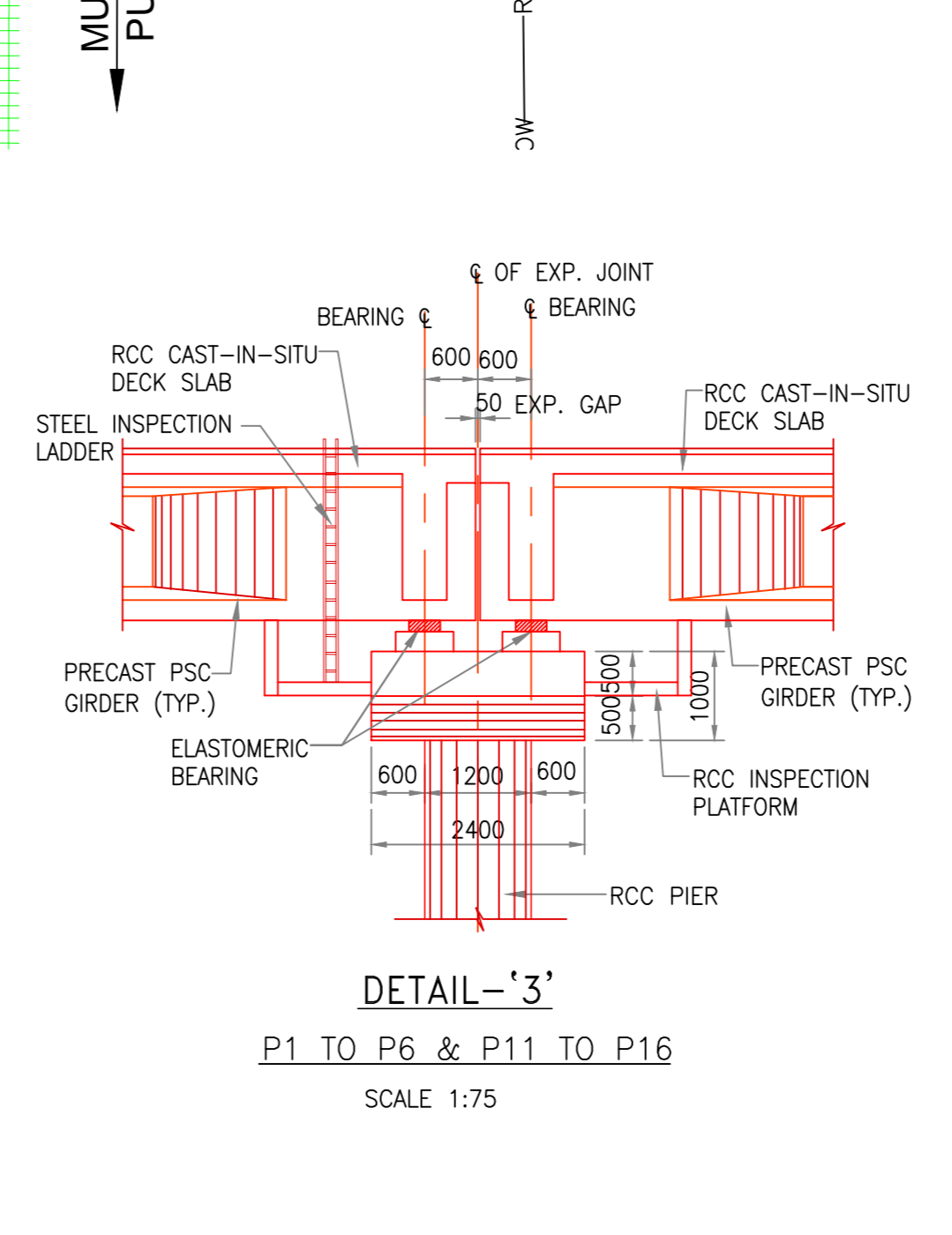
SECTION D-D (SCALE 1:100)



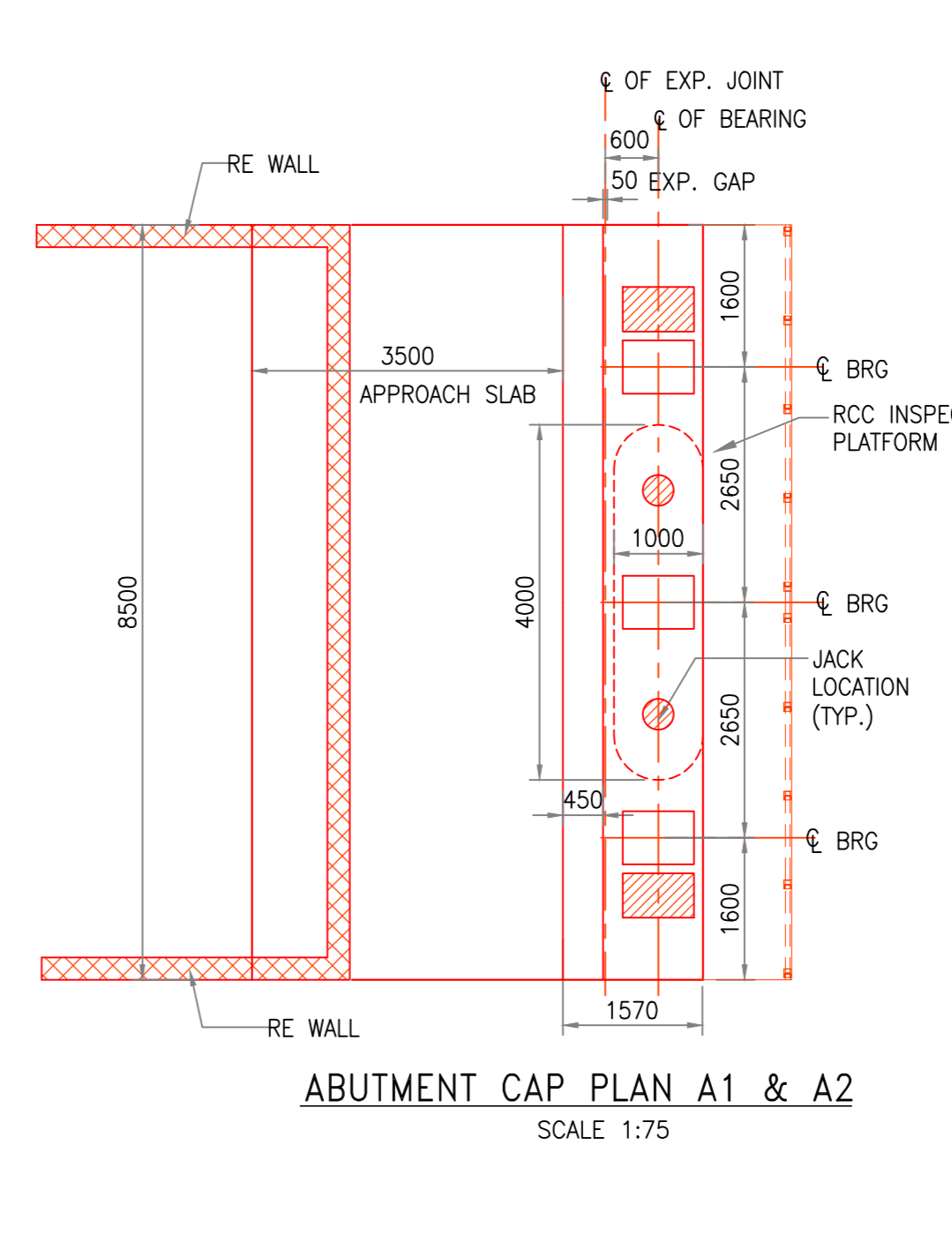
TYPICAL PLAN OF PILE GROUP (SCALE 1:100)



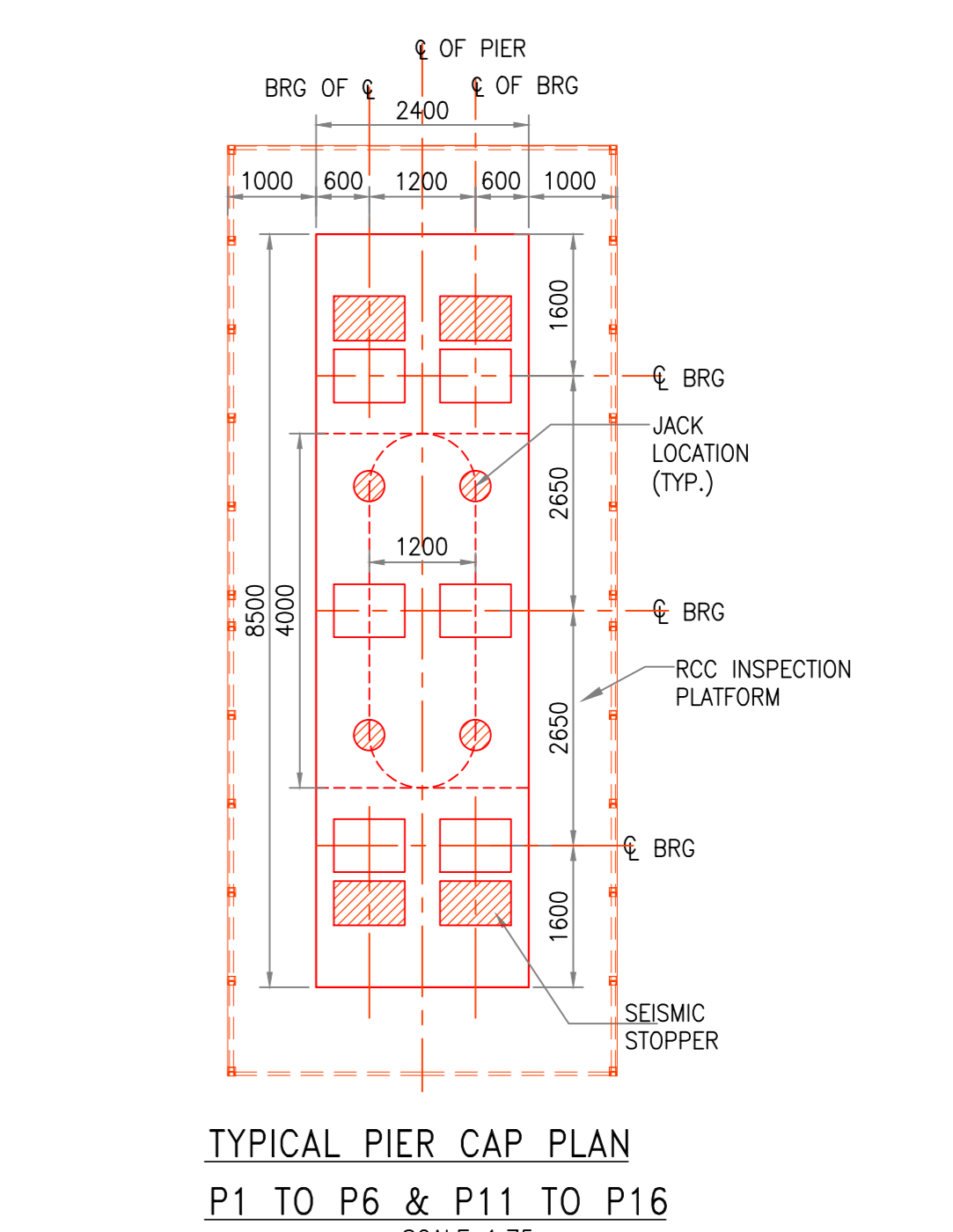
DETAIL -4' (AT A1 & A2) (SCALE 1:75)



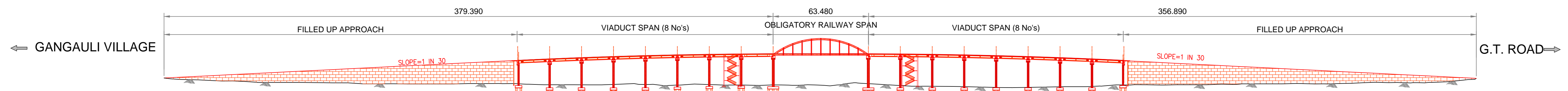
DETAIL -3' (P1 TO P6 & P11 TO P16) (SCALE 1:75)



ABUTMENT CAP PLAN A1 & A2 (SCALE 1:75)



TYPICAL PIER CAP PLAN (SCALE 1:75)



LONGITUDINAL ELEVATION INCLUDING FILLED UP PORTION

F.R.L. (m)	GROUND LEVEL (m)	VERTICAL PROFILE	HORIZONTAL PROFILE	CHAINAGE (m)
97.950	97.950	L=50.000m VALLEY CURVE	STRAIGHT LENGTH= 144.570m	-411.130
98.233	98.233	L=246.710m SLOPE=1 IN 30	CURVE LENGTH= 119.620m CURVE S1 (R=128.000m)	-386.130
98.260	98.260	L=82.680m SUMMIT CURVE	CURVE LENGTH= 88.540m CURVE S2 (R=122.500m)	-199.220
97.650	97.650	L=82.680m SUMMIT CURVE	STRAIGHT LENGTH= 58.400m	-178.020
97.394	97.394	L=82.680m SUMMIT CURVE	STRAIGHT LENGTH= 147.912m	-156.820
97.320	97.320	L=82.680m SUMMIT CURVE	CURVE LENGTH= 52.300m CURVE S3 (R=160.000m)	-135.620
97.345	97.345	L=224.210m SLOPE=1 IN 30	STRAIGHT LENGTH= 188.418m	-114.420
97.326	97.326			-93.220
97.277	97.277			-72.020
97.342	97.342			-50.820
97.252	97.252			-31.740
97.550	97.550			0.000
97.485	97.485			31.740
97.148	97.148			58.820
97.400	97.400			72.020
97.488	97.488			93.220
97.596	97.596			114.420
97.544	97.544			135.620
97.600	97.600			156.820
97.544	97.544			178.020
98.412	98.412			199.220
97.805	97.805			338.630
98.058	98.058			353.630
98.700	98.700			388.630

LEGEND	
—	PROPOSED WORK
—	EXISTING WORK
—	FUTURE WORK

CE'S DRG NO. _____
 DRWG/PLAN NO. _____
 DFCC DRG NO. _____

DATE: _____ REV. NO. _____ REVISION _____

EAST CENTRAL RAILWAY

dedicated freight corridor CORPORATION OF INDIA LIMITED
 (A GOVERNMENT OF INDIA ENTERPRISE)

PROJECT: PROPOSED ROB IN-LIEU OF LC 35 AT Km. 556/26-28 BETWEEN DEHRI ON SONE - PAHALEJA STATION IN MUGHALSARAI - GAYA SECTION ROAD Km. _____ ON VILLAGE ROAD BETWEEN G.T. ROAD TO GANGAULI VILLAGE

TITLE: GENERAL ARRANGEMENT DRAWING OF ROB AT LC NO. 35

DESIGNATION	SIGNATURE	DESIGNATION	SIGNATURE
DRM	ATUL KUMAR	CBE	MUKESH KUMAR
Sr. DEN/CO-ORD/MGS	RUPES KUMAR	Sr. DEN/CO-ORD/MGS	M.A. RAHMAN
SR. DEN/CO-ORD/MGS	ALOK KUMAR	Sr. DEN/CO-ORD/MGS	AEN/BRD
SR. DEN/CO-ORD/MGS	B.K. YADAV	SR. DEN/CO-ORD/MGS	
SR. DEN/CO-ORD/MGS	OM SHANKAR PRASAD	SR. DEN/CO-ORD/MGS	

DEALT BY: A.K. GUPTA DATE: 07.07.2018 DRG. NO. PPC/DFCC/ROB/LC35 GAD/01 (Sheet 2 Of 2) REV. R0

DRAWN BY: A.S. RAWAT SCALE: AS SHOWN

CONSULTANTS: **PARK PROJECTS CONSULTANCY PVT.LTD.** NEW DELHI

DESIGNATION	SIGNATURE	DESIGNATION	SIGNATURE
DRM	ATUL KUMAR	CBE	MUKESH KUMAR
Sr. DEN/CO-ORD/MGS	RUPES KUMAR	Sr. DEN/CO-ORD/MGS	M.A. RAHMAN
SR. DEN/CO-ORD/MGS	ALOK KUMAR	Sr. DEN/CO-ORD/MGS	AEN/BRD
SR. DEN/CO-ORD/MGS	B.K. YADAV	SR. DEN/CO-ORD/MGS	
SR. DEN/CO-ORD/MGS	OM SHANKAR PRASAD	SR. DEN/CO-ORD/MGS	

STATE GOVT. BIHAR MGS DIVISION HQ ECR H/P