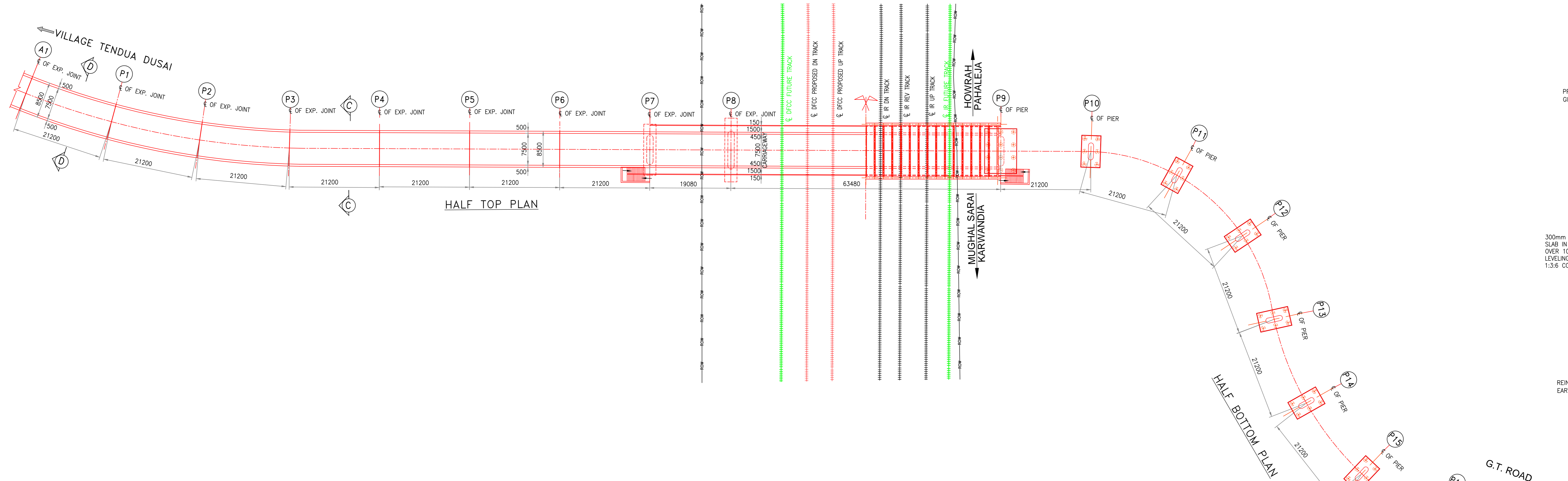
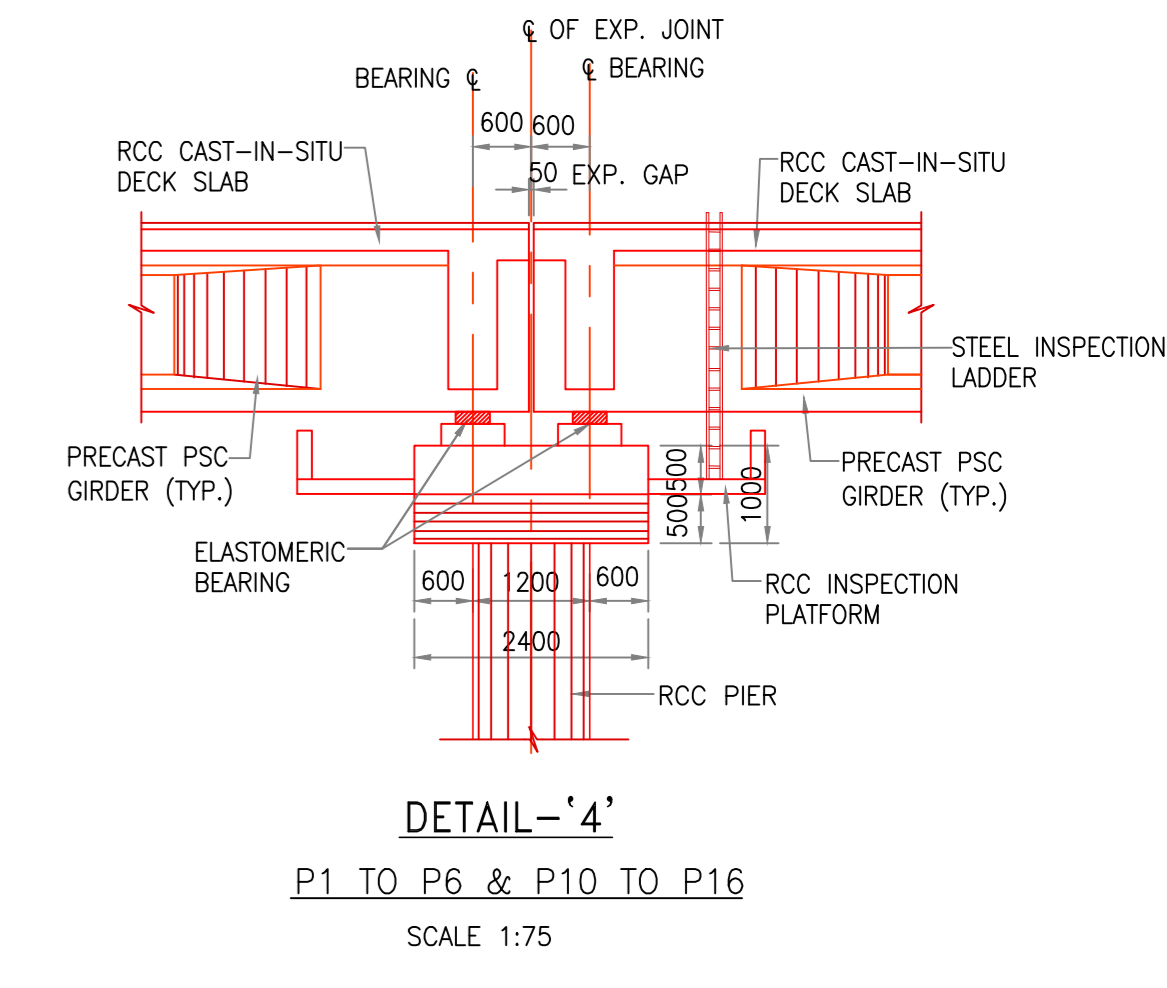


SECTIONAL ELEVATION OF OBLIGATORY & VIADUCT SPANS

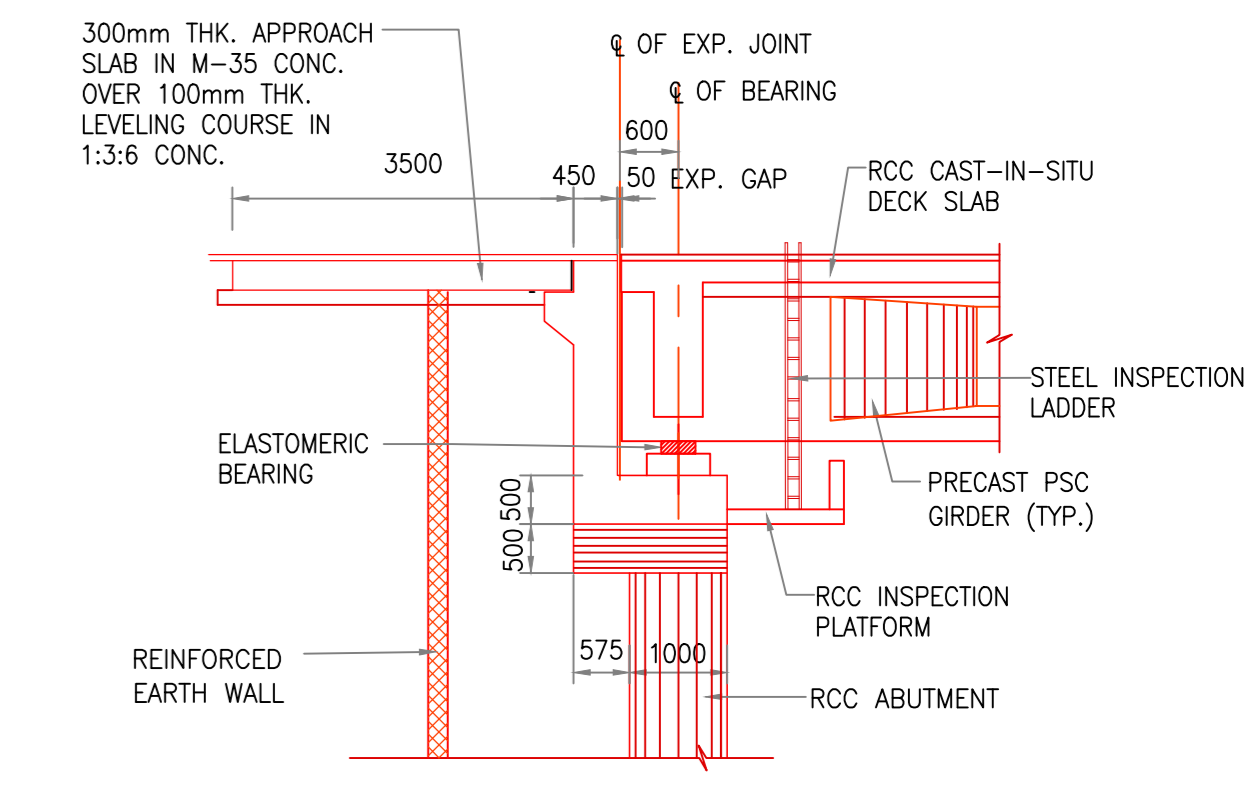


HALF TOP PLAN

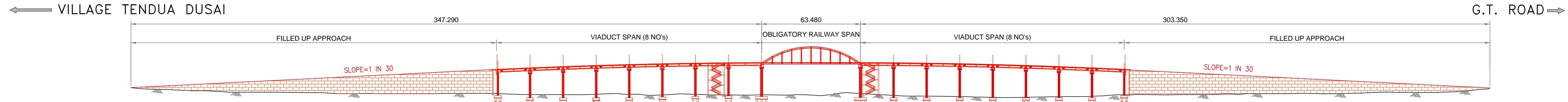
HALF BOTTOM PLAN



DETAIL-4
P1 TO P6 & P10 TO P16
SCALE 1:75



DETAIL-5
(AT A1 & A2)
SCALE 1:75

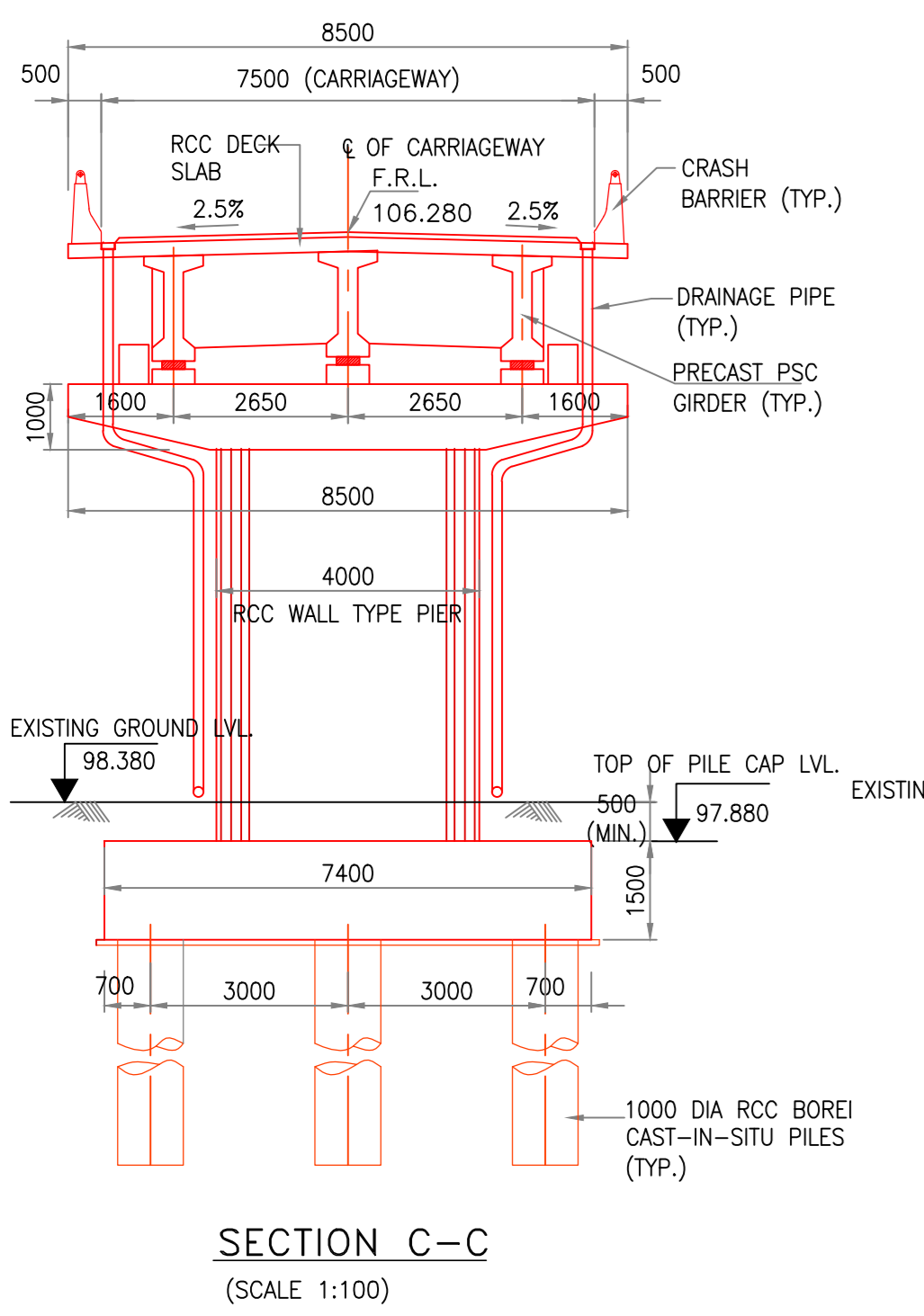


LONGITUDINAL ELEVATION INCLUDING FILLED UP PORTION

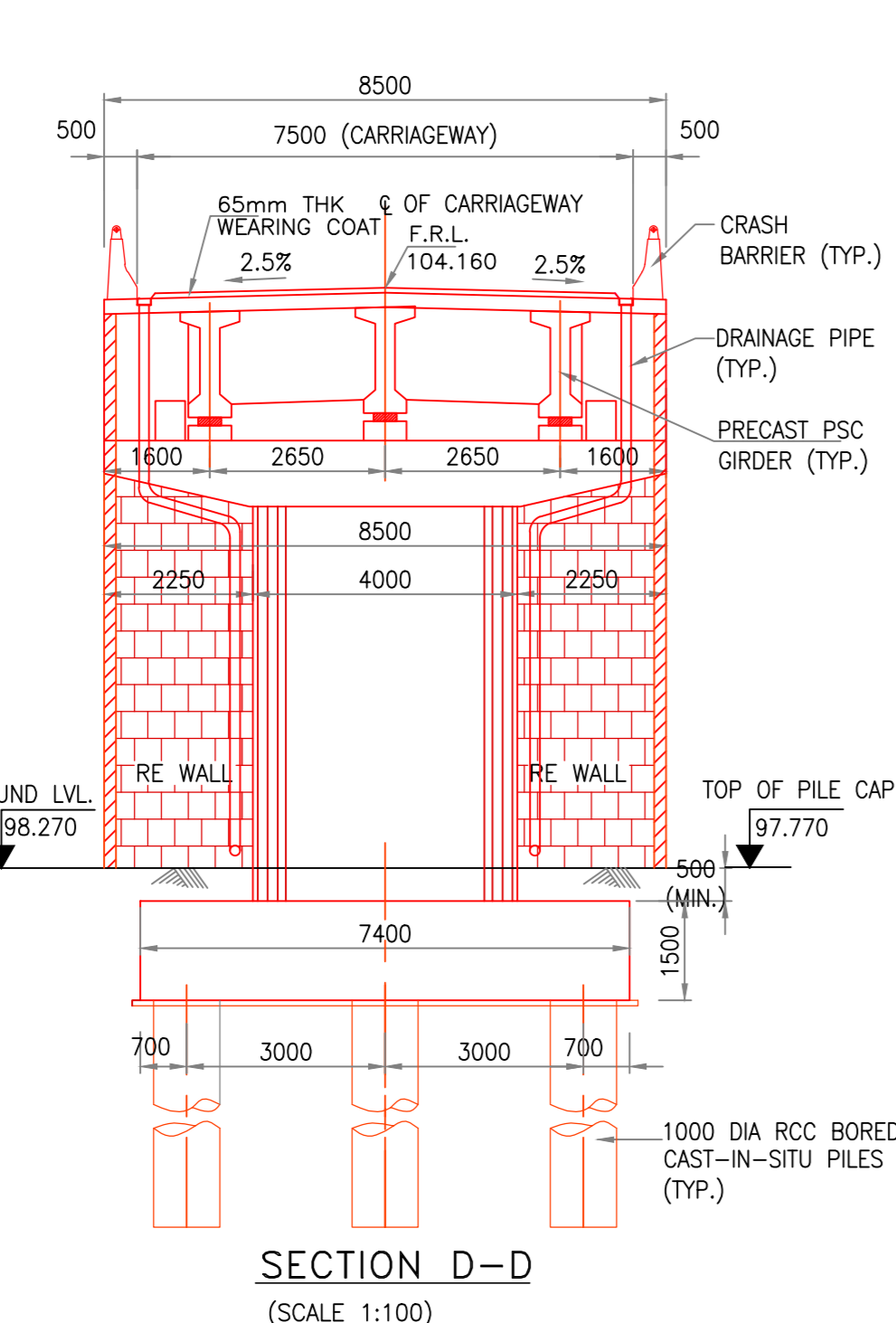
CHAINAGE (Km)	379.030	354.030	329.030	199.220	179.020	156.620	135.620	114.420	93.220	72.020	50.820	31.740	2.940	74.140	95.340	116.540	137.740	158.940	180.140	201.340	286.090	310.090	335.090	
F.R.L. (m)	99.000	99.210	99.830	99.270	98.330	98.285	98.380	98.445	98.440	98.600	98.340	98.890	98.365	98.315	98.430	98.340	99.470	99.512	99.562	99.575	99.760	100.055	100.130	100.500
GROUND LEVEL (m)	99.000	99.800	98.233	98.270	98.330	98.285	98.380	98.445	98.440	98.600	98.340	98.890	98.365	98.315	98.430	98.340	99.470	99.512	99.562	99.575	99.760	100.055	100.130	100.500
VERTICAL PROFILE	L=50.000m VALLEY CURVE			L=214.610m SLOPE=1 IN 30									L=84.800m SUMMIT CURVE		L=168.550m SLOPE=1 IN 30		L=50.000m VALLEY CURVE							
HORIZONTAL PROFILE	CURVE LENGTH= 240.400m CURVE S1 (R=184.500m)			STRAIGHT LENGTH=133.200m									STRAIGHT LENGTH= 50.820m		CURVE LENGTH= 63.237m CURVE S2 (R=45.00m)		CURVE LENGTH= 75.830m CURVE S3 (R=71.50m)		STRAIGHT LENGTH= 145.203m					
MAXIMUM RAIL TOP LVL. 99.980																								

LEGEND

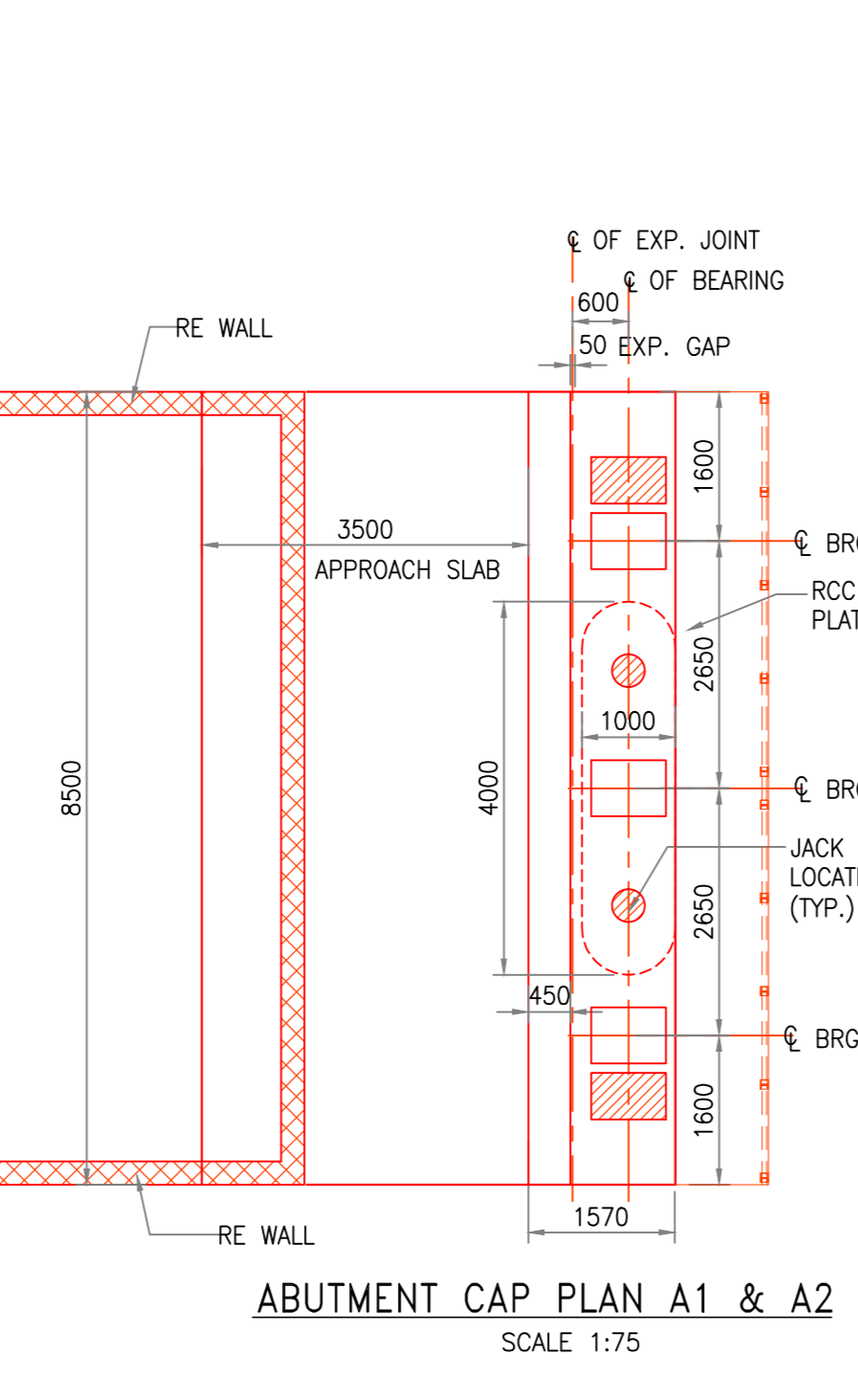
- PROPOSED WORK
- EXISTING WORK
- FUTURE WORK



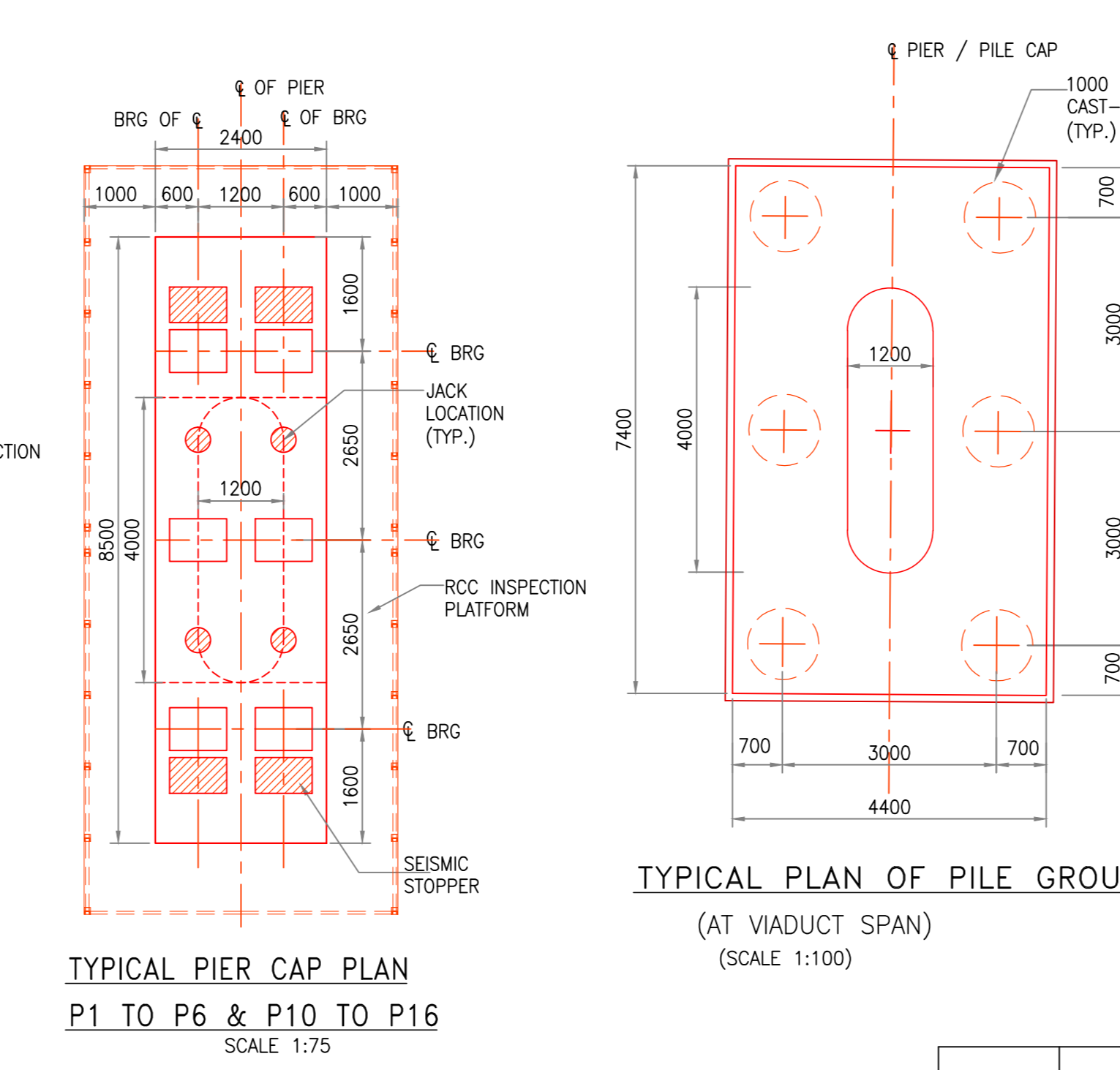
SECTION C-C
(SCALE 1:100)



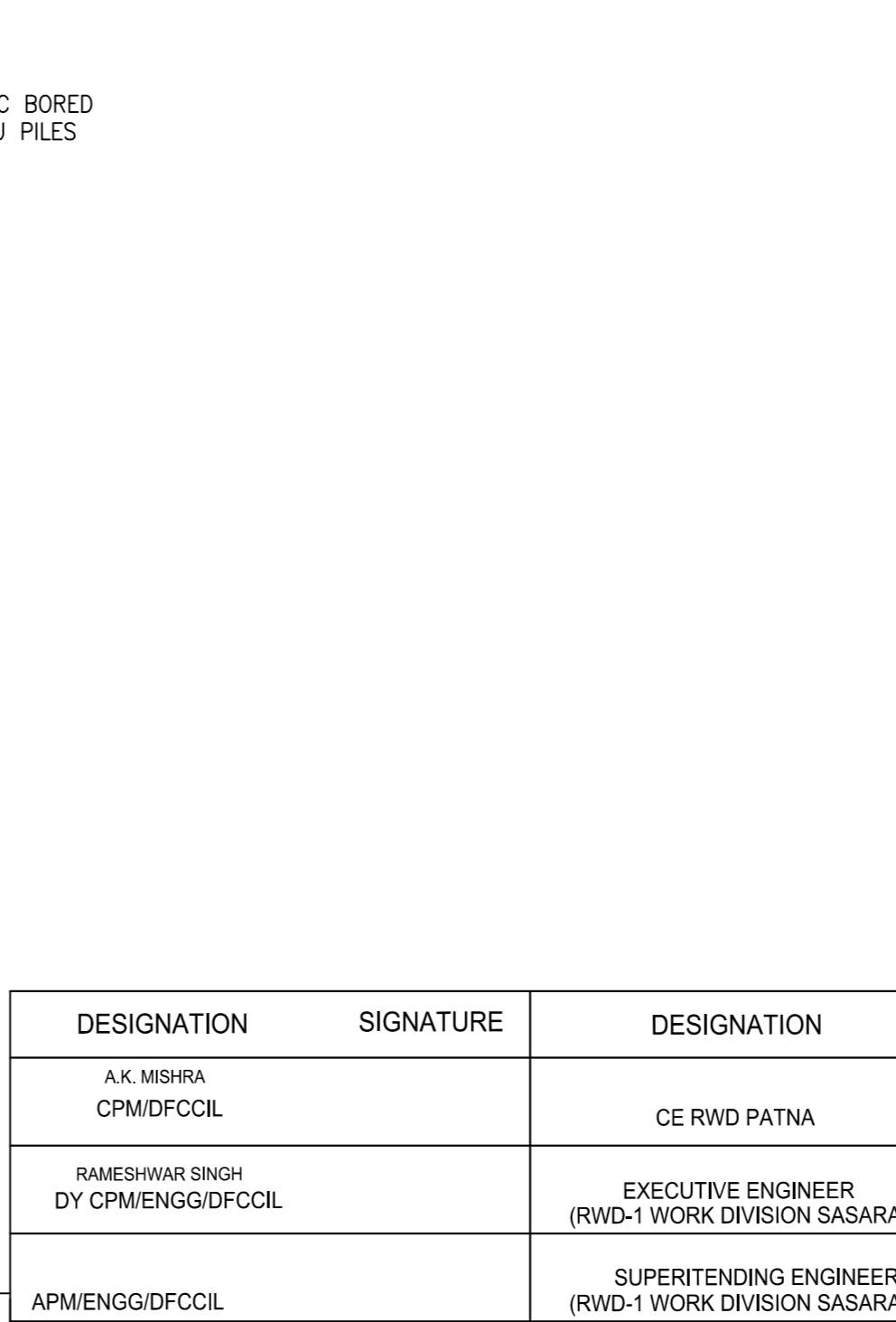
SECTION D-D
(SCALE 1:100)



ABUTMENT CAP PLAN
A1 & A2
SCALE 1:75



TYPICAL PIER CAP PLAN
P1 TO P6 & P10 TO P16
SCALE 1:75



TYPICAL PLAN OF PILE GROUP
(AT VIADUCT SPAN)
(SCALE 1:100)

DESIGNATION	SIGNATURE	DESIGNATION	SIGNATURE	PANKAJ SAXENA DRM	CBE
A.K.SEBBA CR/MDF/CCL		CE/RVD/PATNA		ATUL KUMAR SR./DEN/CO-ORD/MGS	MUKESH KUMAR DY/CE/BRD
RAMESHWAR SINGH DY/CR/MGS/DFCCIL		EXECUTIVE ENGINEER (RWD-1 WORK DIVISION SASARAM)		RUPES KUMAR SR./DOM/MGS	M.A RAHMAN AEN/BRD
APW/MGS/DFCCIL		SUPERINTENDING ENGINEER (RWD-1 WORK DIVISION SASARAM)		ALOK KUMAR SR./DEN/MGS	
				SR. YADAV SR./SYSTEMS	
				OM SHANKAR PRASAD SR./DEE/TRDMGS	

DATE: 07.07.2018
SCALE: AS SHOWN
MGS DIVISION HQ ECR H/P

CE'S DRG NO.:
DRM/MGS/PLAN NO.:
DFCCIL DRG NO.:

DATE: / / REV. NO. REVISION

EAST CENTRAL RAILWAY MGS DIVISION

DEDICATED FREIGHT CORRIDOR CORPORATION OF INDIA LIMITED
(A GOVERNMENT OF INDIA ENTERPRISE)

PROJECT: PROPOSED ROB IN-LIEU OF LC 37 AT Km. 562/12-14 BETWEEN PAHALEJA-KARWANDIA STATION IN MUGHALSARAI - GAYA SECTION AND ROAD Km. ON VILLAGE ROAD BETWEEN G.T. ROAD TO TENDUA DUSAI VILLAGE

TITLE: GENERAL ARRANGEMENT DRAWING OF ROB AT LC NO. 37

DEALT BY: A.K.GUPTA DATE: 07.07.2018 DRG. NO. PPC/DFCC/ROB/LC37 GAD/01 (Sheet 2 Of 2) REV. R0

DRAWN BY: A.S.RAWAT SCALE: AS SHOWN

CONSULTANTS: PARK PROJECTS CONSULTANCY PVT.LTD. NEW DELHI