



PREQUALIFICATION DOCUMENTS FOR

DESIGN AND CONSTRUCTION OF CIVIL, BUILDING AND TRACK WORKS FOR DOUBLE LINE RAILWAY INVOLVING FORMATION IN EMBANKMENTS/CUTTINGS, BRIDGES, STRUCTURES (EXCLUDING CIVIL WORKS FOR BRIDGES OVER RAILWAYS AND WATER MAIN, AND ACROSS CREEK AND ULHAS RIVER AND FORMATIONS IN EMBANKMENT / CUTTING AND STRUCTURES IN THEIR APPROACHES ON BOTH SIDES), BUILDINGS, BALLAST ON FORMATION, TRACK WORKS (INCLUDING TRACK WORKS ON BRIDGES OVER RAILWAYS AND WATER MAIN, AND ACROSS CREEK AND ULHAS RIVER AND FORMATIONS IN EMBANKMENT / CUTTING AND STRUCTURES IN THEIR APPROACHES ON BOTH SIDES) INCLUDING TESTING AND COMMISSIONING ON DESIGN-BUILD LUMP SUM PRICE BASIS FOR JNPT - VAITARANA SECTION OF WESTERN DEDICATED FREIGHT CORRIDOR (PHASE-2)

CIVIL, BUILDING AND TRACK WORKS CONTRACT PACKAGE

CONTRACT PACKAGE: CT P-11

Issued on: 18-06-2014

Invitation for Prequalification No: HQ/EN/WC Ph. II/PQ-11

ICB No.: CT P-11

Employer:
DEDICATED FREIGHT CORRIDOR CORPORATION OF INDIA LIMITED
(A GOVERNMENT OF INDIA ENTERPRISE)

MINISTRY OF RAILWAYS

INDIA

Table of Contents

Invitation for Prequalification (IFP) -----	4
--	----------

An “Invitation for Prequalification” form is provided at the beginning of the Prequalification Documents for information and for approval/consent. This volume will not be involved in the PQ Document when announced.

PART 1. PREQUALIFICATION PROCEDURES

Section I. Instructions to Applicants (ITA) -----	9
---	----------

This Section specifies the procedures to be followed by Applicants in the preparation and submission of their Applications for Prequalification (AFPs). Information is also provided on opening and evaluation of AFPs. **Section I contains provisions that are to be used without modification.**

Section II. Prequalification Data Sheet (PDS) -----	19
---	-----------

This Section consists of provisions that are specific to this prequalification and supplement the information or requirements included in Section I, Instructions to Applicants.

Section III. Qualification Criteria and Requirements -----	29
--	-----------

This Section contains the methods, criteria, and requirements to be used to determine how Applicants shall be prequalified and later invited to bid.

Section IV. Application Forms -----	41
--	-----------

This Section contains the Application Submission Form and all the forms required to be submitted with the application.

Section V. List of Eligible Countries of Japanese ODA Loans -----	65
---	-----------

This Section contains information in respect of eligible countries under Japanese ODA Loans.

PART 2. WORKS REQUIREMENTS

Section VI. Scope of Works -----	68
--	-----------

This Section includes a summary description, delivery and completion schedules, technical specifications and index plans/site photos of the Works subject of this prequalification.

Annexure 1: Evaluation Criteria -----	84
Annexure 2: General Location Map -----	88
Annexure 3: Site Photos -----	89

PART 1 – Prequalification Procedures

Invitation for Prequalification (IFP)

18-06-2014

Country: INDIA

Loan Agreement No. : ID-P229

DEDICATED FREIGHT CORRIDOR PROJECT (WESTERN CORRIDOR PHASE-2) Design Build Lump Sum Contract

for

Civil, Building and Track Works Package 11

Invitation for Prequalification No: HQ/EN/WC/PQ-11

ICB No.: CT P-11

1. The President of India has received a Loan from Japan International Cooperation Agency towards the cost of the **DEDICATED FREIGHT CORRIDOR PROJECT (WESTERN CORRIDOR PHASE-2)**. It is intended that part of the proceeds of this Loan will be applied to eligible payments for which this Invitation for Prequalification is issued. Bidding will be governed by JICA's eligibility rules and procedures.
2. The total length of Phase-2 of Dedicated Freight Corridor (Western) between JNPT and Vadodara and between Rewari and Dadri is 547km. This will be constructed as double line electrified broad gauge (1676mm) track with 2 x 25 kV AC, 50 Hz, overhead catenary system, capable of operating at a maximum train speed of 100km/h with an initial axle load of 25.0 tonnes. Formation and bridge structures are to be provided for 32.5 tonnes axle load and track structure for 25 tonnes axle load.

Phase-2 of the Western Corridor of the Dedicated Freight Corridor consists of two sections namely Southern Section and Northern Section. Southern Section stretches from JNPT to Vadodara (422km) and Northern Section stretches from Rewari to Dadri (125km) for a total length of 547km.

It is intended to carry out the works for Civil, Building and Track Works for Contract Package 11 between JNPT and Vaitarana (102km) located in Southern Section from JNPT to Vadodara (422km).

The Dedicated Freight Corridor Corporation of India Limited (DFCCIL) (hereinafter referred to as "the Employer") intends to prequalify contractors and/or firms for Civil, Building and Track Works Contract Package 11.

The stretch for Package 11 (JNPT–Vaitarana) is basically located along JNPT – Panvel – Diva – Vasai Road of Central Railway and Vasai Road – Vaitarana Section of IR Western Railway. Detours have been planned at Kundevahal (1.5km), at Dativali (4.04km) and at Vasai (16.8km). About 78% of the proposed DFC alignment between JNPT and Vaitarana is passing parallel to the existing IR Central and Western Railways and the remaining 22% of the alignment is passing through detours.

Construction of 4 nos. of Special Steel Bridges (as mentioned in the table below) located within the route of Package 11, including their approaches of 200m/100m length from abutments on both sides, has been planned to be taken up under separate contract namely Package 15A as 'Open Web Welded Through Truss Bridges' and is excluded from the Scope of Work of Package 11. However, the necessary track works for these 4 nos. of Special Steel Bridges and their approaches on both sides have been included in the Scope of Work for Package 11.

Special Steel Bridge Contract Package No.	S. No.	Bridge No.	DFC Chainage (Km)	Bridge across/ over :-	Approx. Bridge Length (m)	Location (Near)	Length of Approaches (m)	Remarks
15A	1	RFO-6	50,661.83	Indian Railways	64.15	Kopar	100	1 Minor Bridge in Approaches
	2	122	53,994.19	Ulhas River	479.88	Dombiveli	200	1 Major Bridge (RCC Box) in Approaches
	3	126	57,953.37	Water Main	97.00	Bhiwandi	100	
	4	135	64,704.65	Creek	145.50	Kharbao	100	
	Total (m)					786.53		

Out of the scope of 3 no. of RFOs in Package 11, following 2 no. of RFOs which form part of viaducts shall be constructed as 'Open Web Welded Through Truss Steel Bridges' by Package 11 contractor,

Package No.	S. No.	Bridge No.	DFC Chainage (Km)	Bridge across/ over :-	Span	Approx. Bridge Length (m)	Location (Near)
11	1	RFO-1	28600.00	Indian Railways	2 x 76.2m	159.96	Panvel/ Kalamboli
	2	RFO-4	1910.022 (DFC Connecting Line Chainage)	Indian Railways	1 x 76.2m	79.98	Kharbao
	Total (m)					239.94	

The Contractor shall undertake the design, construction, manufacture, supply, installation, testing and commissioning of the Civil, Structures, Buildings and Track works including and without limitation, the design, construction and removal of any Temporary Works.

Major Structural Features of Package 11 with approximate details at present are tabulated below:-

Structure	Package -11: 102 Km (JNPT - Vaitarana)
1. Civil Works	
- Cutting in Soil	1.97 x10 ⁶ cum
- Cutting in Hard Rock	1.98 x10 ⁶ cum
- Embankment	5.82 x10 ⁶ cum
- Blanket	0.89 x10 ⁶ cum
- Subgrade	1.16 x10 ⁶ cum
- Important Bridge	-
- Viaduct	3 nos. [total length 5,384m (Double line 4,021m, Single line 1,363m)]
- Major Bridge	22 nos. (total length 819m)
- Rail Flyover	3 nos. (2 nos. forming part of viaducts, will be constructed as open web welded through truss steel bridges with total length 239.94m)
- Minor Bridge	173 nos. (total length 609m)
- ROB ^{*1}	17 nos.
- RUB ^{*2}	28 nos.
- Pedestrian Subway	01 No.
- Tunnel	2 nos. (total length 700m)
- Railway crossing	09 nos.
2. Building Works	(Approximate Area 7500 sqm)
- Junction Station (JS)	2 locations (Approximate Area 6000 sqm)
- Crossing Station (CS)	1 location (Approximate Area 1500 sqm)
- Maintenance Depot, MMU, Sub-Depots etc.	At Junction and Crossing Stations as per the requirement
- Quarters & Offices	At Junction and Crossing Stations (Approximate Area 3000 sqm)
3. Track Works	
- Ballast	0.63 x10 ⁶ cum
- Route Km	102 Km

Notes: *1: Road-over-bridge (overpass), *2: Road-under-bridge (underpass)

3. The expected schedule of the bidding process shall be as under:-
- a) Invitation of Pre-qualification (IFP) : 18-06-2014
 - b) Invitation of Bids : 17-10-2014
 - c) Submission of Bids (by Bidders) : 18-02-2015
 - d) Construction Period : 208 weeks
4. "Prequalification will be conducted through prequalification procedures specified in the Guidelines for Procurement under Japanese ODA Loans, March 2009. Further, Eligible Nationality for an Applicant and all partners constituting the Applicant shall be the following;
- (a) Japan in the case of the prime contractor; and
 - (b) All countries and areas in the case of sub-contractor(s).

Further, with regard to the above, in case where the prime contractor is a joint venture, such joint venture will be eligible provided that the nationality of the lead partner is Japan, that the nationality of the other partners is Japan and/or India and that the total share of work of Japanese partners in the joint venture is more than fifty percent (50%) of the contract amount.

Procurement of the following components from Japan is mandatory under this Package (Refer Section V – List of Eligible Countries of Japanese ODA Loans);

- Head Hardened Rails for the entire stretch of Main Line and Points & Crossings

5. Interested eligible Applicants may obtain further information from and inspect the Prequalification Documents at the address given below, from 11:00 to 17:00 hours (Indian Standard Time) on business working days only during 18-06-2014 to 23-07-2014.
6. A complete set of the Prequalification Document may be purchased by interested Applicant(s) on the submission of a written application to the address below during 11:00 to 17:00 hours on any working day, upon payment of a nonrefundable fee of 'Rs. 12,000 or US\$ 200 + 5% VAT' in the form of Demand Draft or Banker's Cheque drawn in favour of "Dedicated Freight Corridor Corporation of India Ltd." from any Scheduled Commercial Bank in India and payable at New Delhi. The Prequalification Document will be available for sale from 16-06-2014 to 04-08-2014.

If the Applicant desires that the Prequalification Document be sent by post / courier service, then an additional charge of Rs.1, 000 for inland delivery and Rs. 6,000 or US \$ 100 for overseas delivery shall also be paid along with fee stated above. The request for sending the Prequalification Document by post / courier service must be received at the address below with requisite fee before 23-07-2014.

7. Applications for prequalification should be submitted in sealed envelopes, delivered to the address below by 04-08-2014.at 15:00 hours (Indian Standard Time), and be clearly marked "**Application to Prequalify for DEDICATED FREIGHT CORRIDOR PROJECT (JNPT – VAITARANA SECTION OF WESTERN CORRIDOR PHASE-2), Civil, Building and Track Works: CT P-11**".

The PQ Applications as received by the specified time shall be opened at 15.30 hours on the same day in the presence of the Applicants' representatives who choose to attend.

8. PQ Document in PDF file will be available in Home Page of DFCCIL as shown below.

HP: <https://dfccil.org>

9. Prequalification Document will be available at the address mentioned below with CD-ROM including Forms in Microsoft Word version at the cost of 'Rs. 12,000 (Rs. Twelve thousand only) or US\$ 200 + 5% VAT'.
10. The Applicants who download the PQ Document from DFCCIL website will be required to deposit the requisite fee, as specified above, at the address mentioned below towards the cost of PQ Documents before the submission of their PQ Application. The PQ Application(s) if submitted without the requisite fee will not be considered and rejected outright.
11. Interested eligible Applicants are invited to attend a Pre-PQ Conference to be held at Venue below on 02-07-2014 at the following address:-

Venue: Room No. 416, 4th Floor, Pragati Maidan Metro Station Building, New Delhi - 110001
Time: 12:00 hours (Indian Standard Time)

Participation to this Pre-PQ Conference is not a mandatory requirement for prequalification.

A Questionnaire Form will be delivered to the Applicant's Representatives participating in the Pre-PQ Conference. Answers will be delivered to all Representatives by e-mail not later than 10 days before the closing date of the Prequalification Application as specified in PDS 7.1. The answers shall also be available in Home Page of DFCCIL as shown above.

Name of the Office	: Dedicated Freight Corridor Corporation of India Ltd.
Name of the Officer	: Mr. Dhanesh Gupta
Position	: GGM/PWC
Address	: Dedicated Freight Corridor Corporation of India Ltd., Room No.505, 5th Floor, Pragati Maidan Metro Station Building, New Delhi – 110001, INDIA Tel: +91-11-2345-4650, Fax: +91-11-2345-4701 e-mail: scc@dfcc.co.in

Section I. Instructions to Applicants

Notes on Instructions to Applicants (ITA)

Section I, Instructions to Applicants (ITA) specifies the procedures that regulate the prequalification process. The ITA contains standard provisions that have been designed to remain unchanged from JICA Sample Prequalification Document.

The ITA refers those clauses that need to be complemented to suit the conditions of a particular prequalification process to the Prequalification Data Sheet (PDS) for this Project; **the PDS provides such additional information.**

Table of Clauses

A. General	11
1. Scope of Application	
2. Source of Funds	
3. Fraud and Corruption	
4. Eligible Applicants	
5. Eligible Goods and Related Services	
B. Contents of the Prequalification Documents.....	13
6. Sections of Prequalification Documents	
7. Clarification of Prequalification Documents	
8. Amendment of Prequalification Documents	
C. Preparation of Applications.....	14
9. Cost of Applications	
10. Language of Application	
11. Documents Comprising the Application	
12. Application Submission Form	
13. Documents Establishing the Eligibility of the Applicant	
14. Documents Establishing the Qualifications of the Applicant	
15. Signing of the Application and Number of Copies	
D. Submission of Applications.....	15
16. Sealing and Identification of Applications	
17. Deadline for Submission of Applications	
18. Late Applications	
19. Opening of Applications	
E. Procedures for Evaluation of Applications	16
20. Confidentiality	
21. Clarification of Applications	
22. Responsiveness of Applications	
23. Subcontractors	
F. Evaluation of Applications and Prequalification of Applicants.....	17
24. Evaluation of Applications	
25. Employer's Right to Accept or Reject Applications	
26. Prequalification of Applicants	
27. Notification of Prequalification	
28. Invitation for Bids	
29. Changes in Qualifications of Applicants	

A. General

1. Scope of Application	<p>1.1 In connection with the Invitation for Prequalification indicated in Section II, Prequalification Data Sheet (PDS), the Employer, as defined in the PDS, issues these Prequalification Documents (PD) to Applicants interested in bidding for the Works described in Section VI, Scope of Works. The reference identification number of the contract, if any, is provided in the PDS.</p>
2. Source of Funds	<p>2.1 The Borrower indicated in the PDS is set to receive a Japanese ODA Loan from Japan International Cooperation Agency (hereinafter referred to as "JICA"), with the number, in the amount, and on the signed date of the Loan Agreement indicated in the PDS, towards the cost of the project named in the PDS. The Borrower intends to apply a portion of the proceeds of the loan to eligible payments under the contract(s) resulting from the bidding for which this prequalification is conducted.</p> <p>2.2 Disbursement of a Japanese ODA Loan by JICA will be subject, in all respects, to the terms and conditions of the Loan Agreement, including the disbursement procedures and "Guidelines for Procurement under Japanese ODA Loans". No party other than the Borrower shall derive any rights from the Loan Agreement or have any claim to loan proceeds.</p> <p>2.3 The above Loan Agreement will cover only part of the project cost. As for the remaining portion, the Borrower will take appropriate measures for finance.</p>
3. Fraud and Corruption	<p>3.1 It is JICA's policy to require that Bidders and Contractors, as well as Borrowers under contracts funded with Japanese ODA Loans and other Japanese ODA, observe the highest standard of ethics during the procurement and execution of such contracts. In pursuance of this policy, JICA:</p> <ul style="list-style-type: none"> (a) will reject a proposal for award if it determine that the Bidder recommended for award has engaged in corrupt or fraudulent practices in competing for the contract in question; (b) will recognize a Bidder or Contractor as ineligible, for a period determined by JICA, to be awarded a contract funded with Japanese ODA Loans if it at any time determines that the Bidder or the Contractor has engaged in corrupt or fraudulent practices in competing for, or in executing another contract funded with Japanese ODA Loans or other Japanese ODA.
4. Eligible Applicants	<p>4.1 An Applicant may be a single entity or any combination of entities in the form of joint venture or association (JVA) with the formal intent, as evidenced by a letter of intent, to enter into an agreement or under an existing agreement. In the case of a JVA,</p> <ul style="list-style-type: none"> (a) unless otherwise specified in the PDS, all partners shall be jointly and severally liable for the execution of the Contract in

	<p>accordance with the Contract terms, and</p> <p>(b) the JVA shall nominate a Representative who shall have the authority to conduct all business for and on behalf of any and all the partners of the JVA during the prequalification process and, in the event the JVA is prequalified, during the bidding process, and in the event the JVA is awarded the Contract, during contract execution.</p>
	<p>4.2 An Applicant and all partners constituting the Applicant shall be from an eligible source country as listed in Section V, List of Eligible Countries of Japanese ODA Loans.</p>
	<p>4.3 An Applicant shall not have a conflict of interest. All Applicants found to have a conflict of interest shall be disqualified from participating in this prequalification process. An Applicant may be considered to have a conflict of interest with one or more parties in this prequalification process if:</p> <p>(a) an Applicant has been engaged by the Employer to provide consulting services for the preparation related to procurement for or implementation of the project;</p> <p>(b) an Applicant is any of its associates/affiliates (inclusive of parent firms) mentioned in subparagraph (a) above; or</p> <p>(c) an Applicant lends, or temporarily seconds its personnel to firms or organizations which are engaged in consulting services for the preparation related to procurement for or implementation of the project, if the personnel would be involved in any capacity on the same project.</p>
	<p>4.4 An Applicant shall submit only one application in the same Prequalification process, either individually as an Applicant or as a partner of a JVA. An Applicant who submits, or participates in, more than one application will cause all the applications in which the Applicant has participated to be disqualified. No Applicant can be a subcontractor while submitting an application individually or as a partner of a JVA in the same Prequalification process. A subcontractor in any application may participate in more than one application, but only in that capacity.</p>
	<p>4.5 An Applicant, that has been determined to be ineligible by JICA in accordance with ITA 3, shall not be eligible to be awarded a contract.</p>
	<p>4.6 Applicants shall provide such evidence of their continued eligibility satisfactory to the Employer, as the Employer shall reasonably request.</p>
<p>5. Eligible Goods and Related Services</p>	<p>5.1 All Goods and related services to be supplied under the Contract to be financed by JICA shall have their origin in any country in accordance with Section V, List of Eligible Countries of Japanese ODA Loans.</p>

	B. Contents of the Prequalification Documents
6. Sections of Prequalification Documents	6.1 The documents for the prequalification of Applicants (hereinafter referred to as "Prequalification Documents") consist of parts 1 and 2 which comprise all the sections indicated below, and should be read in conjunction with any Addendum issued in accordance with ITA 8.
	<p>PART 1 Prequalification Procedures</p> <ul style="list-style-type: none"> ● Section I. Instructions to Applicants (ITA) ● Section II. Prequalification Data Sheet (PDS) ● Section III. Qualification Criteria and Requirements ● Section IV. Application Forms ● Section V. List of Eligible Countries of Japanese ODA Loans <p>PART 2 Works Requirements</p> <ul style="list-style-type: none"> ● Section VI. Scope of Works
	6.2 The "Invitation for Prequalification" issued by the Employer is not part of the Prequalification Documents.
	6.3 The Employer accepts no responsibility for the completeness of the Prequalification Documents and its addenda unless they were obtained directly from the Employer.
	6.4 The Applicant is expected to examine all instructions, forms, and terms in the Prequalification Documents and to furnish all information or documentation required by the Prequalification Documents.
	6.5 General information on the climate, hydrology, topography, access to site, transportation and communications facilities, medical facilities, project layout, expected construction period, and other services and facilities to be provided by the Employer is furnished in Section VI, Scope of Works.
7. Clarification of Prequalification Documents	7.1 A prospective Applicant requiring any clarification of the Prequalification Documents shall contact the Employer in writing at the Employer's address indicated in the PDS . The Employer will respond in writing to any request for clarification provided that such request is received no later than fourteen (14) days prior to the deadline for submission of applications. The Employer shall forward copies of its response to all Applicants who have acquired the Prequalification Document directly from the Employer including a description of the inquiry but without identifying its source. Should the Employer deem it necessary to amend the Prequalification Document as a result of a clarification, it shall do so following the procedure under ITA 8 and in accordance with the provisions of ITA 17.2.
8. Amendment of Prequalification	8.1 At any time prior to the deadline for submission of applications, the Employer may amend the Prequalification Documents by issuing

Documents	addenda.
	8.2 Any addendum issued shall be part of the Prequalification Documents and shall be communicated in writing to all who have obtained the Prequalification Documents from the Employer.
	8.3 To give prospective Applicants reasonable time to take an addendum into account in preparing their applications, the Employer may, at its discretion, extend the deadline for the submission of applications.
	C. Preparation of Applications
9. Cost of Applications	9.1 The Applicant shall bear all costs associated with the preparation and submission of its application. The Employer shall in no case be responsible or liable for those costs, regardless of the conduct or outcome of the prequalification process.
10. Language of Application	10.1 The application as well as all correspondence and documents relating to the prequalification exchanged by the Applicant and the Employer, shall be written in the language specified in the PDS . Supporting documents and printed literature that are part of the application may be in another language, provided they are accompanied by an accurate translation of the relevant passages in the language specified in the PDS , in which case, for purposes of interpretation of the application, the translation shall govern.
11. Documents Comprising the Application	11.1 The application shall comprise the following: <ul style="list-style-type: none"> (a) Application Submission Form, in accordance with ITA 12; (b) documentary evidence establishing the Applicant's eligibility to prequalify, in accordance with ITA 13; (c) documentary evidence establishing the Applicant's qualifications, in accordance with ITA 14; and (d) any other document required as specified in the PDS.
12. Application Submission Form	12.1 The Applicant shall prepare an Application Submission Sheet using the form furnished in Section IV, Application Forms. This Form must be completed without any alteration to its format.
13. Documents Establishing the Eligibility of the Applicant	13.1 To establish its eligibility in accordance with ITA 4, the Applicant shall complete the eligibility declarations in the Application Submission Form and Forms ELI (eligibility) 1.1 and 1.2, included in Section IV, Application Forms.

14. Documents Establishing the Qualifications of the Applicant	14.1 To establish its qualifications to perform the contract(s) in accordance with Section III, Qualification Criteria and Requirements, the Applicant shall provide the information requested in the corresponding forms included in Section IV, Application Forms.
15. Signing of the Application and Number of Copies	<p>15.1 The Applicant shall prepare one original of the documents comprising the application as described in ITA 11 and clearly mark it "ORIGINAL". The original of the application shall be typed or written in indelible ink and shall be signed by a person duly authorized to sign on behalf of the Applicant.</p> <p>15.2 The Applicant shall submit copies of the signed original application, in the number specified in the PDS, and clearly mark them "COPY". In the event of any discrepancy between the original and the copies, the original shall prevail.</p>
	D. Submission of Applications
16. Sealing and Identification of Applications	<p>16.1 The Applicant shall enclose the original and the copies of the application in a sealed envelope that shall:</p> <ul style="list-style-type: none"> (a) bear the name and address of the Applicant; (b) be addressed to the Employer, in accordance with ITA 17.1; and (c) bear the specific reference identification number of this prequalification process, if any, indicated in PDS 1.1.
	16.2 The Employer will accept no responsibility for not processing any envelope that was not identified as required.
17. Deadline for Submission of Applications	17.1 Applicants may always submit their applications by mail or by hand. Applications shall be received by the Employer at the address and no later than the deadline indicated in the PDS . A receipt will be given for all applications submitted.
	17.2 The Employer may, at its discretion, extend the deadline for the submission of applications by amending the Prequalification Documents in accordance with ITA 8, in which case all rights and obligations of the Employer and the Applicants subject to the previous deadline shall thereafter be subject to the deadline as extended.
18. Late Applications	18.1 The Employer reserves the right to accept or reject late applications.
19. Opening of Applications	19.1 The Employer shall prepare a record of the opening of applications that shall include, as a minimum, the name of the Applicant. A copy of the record shall be distributed to all Applicants.

	E. Procedures for Evaluation of Applications
20. Confidentiality	20.1 Information relating to the evaluation of applications, and recommendation for prequalification, shall not be disclosed to Applicants or any other persons not officially concerned with such process until the notification of prequalification is made to all Applicants.
	20.2 From the deadline for submission of applications to the time of notification of the results of the prequalification in accordance with ITA 28, any Applicant that wishes to contact the Employer on any matter related to the prequalification process, may do so but only in writing.
21. Clarification of Applications	21.1 To assist in the evaluation of applications, the Employer may, at its discretion, ask any Applicant for a clarification of its application which shall be submitted within a stated reasonable period of time. Any request for clarification and all clarifications shall be in writing.
	21.2 If an Applicant does not provide clarifications of the information requested by the date and time set in the Employer's request for clarification, its application may be rejected.
22. Responsiveness of Applications	22.1 The Employer may reject any application which is not responsive to the requirements of the Prequalification Documents.
23. Subcontractors	23.1 Applicants planning to subcontract any of the key activities indicated in Section III, Qualification Criteria and Requirements, shall specify the activity(ies) or parts of the Works to be subcontracted in the Application Submission Form. Applicants shall clearly identify the proposed specialist subcontractor(s) in Forms ELI-1.2 and EXP (experience)-4.2(b) in Section IV, Application Forms. Such proposed specialist subcontractor(s) shall meet the corresponding qualification requirements specified in Section III, Qualification Criteria and Requirements.
	23.2 At this time, the Employer does not intend to execute certain specific parts of the Works by subcontractors selected in advance by the Employer (Nominated Subcontractors) unless otherwise stated in the PDS.

	F. Evaluation of Applications and Prequalification of Applicants
24. Evaluation of Applications	24.1 The Employer shall use the factors, methods, criteria, and requirements defined in Section III, Qualification Criteria and Requirements to evaluate the qualifications of the Applicants. The use of other methods, criteria, or requirements shall not be permitted. The Employer reserves the right to waive minor deviations in the qualification criteria if they do not materially affect the capability of an Applicant to perform the contract.
	24.2 Only the qualifications of subcontractors that have been identified in the application may be considered in the evaluation of an Applicant. However, the general experience and financial resources of subcontractors may not be added to those of the Applicant for purposes of prequalification of the Applicant.
	24.3 Unless otherwise indicated in the PDS , this prequalification shall be for a single contract.
25. Employer's Right to Accept or Reject Applications	25.1 The Employer reserves the right to accept or reject any application, and to annul the prequalification process and reject all applications at any time, without thereby incurring any liability to Applicants.
26. Prequalification of Applicants	26.1 All Applicants, whose applications have been determined to be substantially responsive to the requirements of the Prequalification Documents and who have met or exceeded ("passed") the specified threshold criteria, shall be prequalified by the Employer.
27. Notification of Prequalification	27.1 Once the Employer has completed the evaluation of the applications, it shall notify all Applicants in writing of the names of those Applicants who have been prequalified.
28. Invitation for Bids	28.1 Promptly after the notification of the results of the prequalification, the Employer shall invite bids from all the Applicants that have been prequalified.
	28.2 Bidders may be required to provide a Bid Security acceptable to the Employer in the form and an amount to be specified in the Bidding Documents, and the successful Bidder shall be required to provide a Performance Security to be specified in the Bidding Documents.
29. Changes in Qualifications of Applicants	29.1 Any change in the structure or formation of an Applicant after being prequalified in accordance with ITA 26 and invited to bid shall be subject to a written approval of the Employer prior to the deadline for submission of bids. Any such changes shall be submitted to the Employer not later than fourteen (14) days after the date of the Invitation for Bids. Such approval shall be denied if as a consequence of the change;

	<ul style="list-style-type: none">(a) the prequalified Applicant, after the change, no longer substantially meets the qualification criteria set forth in Section III, Qualification Criteria and Requirements; or(b) in the opinion of the Employer, a substantial reduction in competition may result.
--	---

Section II. Prequalification Data Sheet

Notes on Prequalification Data Sheet (PDS)

Section II, Prequalification Data Sheet (PDS) contains information and provisions that are specific to a particular prequalification process. The PDS only specify the information that the corresponding ITA requests be specified in the PDS

To facilitate the preparation of the PDS, its clauses are numbered with the same numbers as the corresponding ITA clauses.

A. General	
ITA 1.1	The reference identification number and name of this Invitation for Prequalification is:- ICB No.: CT P-11
ITA 1.1	The name of the Employer is: Dedicated Freight Corridor Corporation of India Limited (A Government of India Enterprise)
ITA 1.1	The name, number and identification of the slices/ packages comprising this contract is: <u>Civil, Building and Track Works Package 11 (CT P-11)</u> Design and Construction of Civil, Building and Track Works for Double Line Railway involving Formation in Embankment/Cuttings, Bridges, Structures (excluding Civil Works for Bridges over Railways and Water Main, and across Creek and Ulhas River and Formation in Embankment / Cutting and Structures in their Approaches on Both Sides), Buildings, Ballast on Formation, Track Works (including Track Works on Bridges over Railways and Water Main, and across Creek and Ulhas River and Formation in Embankment / Cutting and Structures in their Approaches on Both Sides) including testing and commissioning on Design-Build Lump Sum Price basis for JNPT - Vaitarana Section (approx. 102 route Km) of Western Dedicated Freight Corridor (Phase-2).
ITA 2.1	The name of the Borrower is: The President of India
ITA 2.1	The number of the Loan Agreement is : ID-P229 The amount of a Japanese ODA Loan is: JPY 136,119 Million The signed date of the Loan Agreement is: 28 March, 2013
ITA 2.1	The name of the Project is: Dedicated Freight Corridor Project (Western Corridor Phase-2)
ITA 3	Supplement ITA 3 with the following Bidder / Contractor would include the prime contractor, partners in a Joint Venture or association, sub contractors and sub consultants

ITA 4.1	<p>The ITA 4.1 shall be replaced with the following:</p> <p>a) For the purpose of this pre-qualification document the following definition shall apply:</p> <ul style="list-style-type: none"> (i) 'Applicant' : It is the collective single entity consisting of 'Prime Contractor' with its 'Sub-contractor(s) & Sub-consultants' (ii) 'Prime Contractor' may be single entity or 'a joint venture or partner in JV' or 'association or its member' excluding Sub Contractor' & Sub Consultants with the formal intent, as evidenced by a letter of intent, to enter into an agreement or under an existing/pre-existing agreement (iii) 'Partners' : Prime Contractor or in case where the Prime Contractor is a joint venture or association , 'Partners' would include all the constituent members of the joint venture or association. (iv) 'Authorized Signatory': For the purpose of this pre-qualification, the Authorized Signatory shall mean the person authorized to sign on behalf of Partner / Sub-contractor/ Sub consultant under a Power of Attorney and supported by a resolution from the respective Board of Directors. <p>b) In case of joint venture or association, all the constituent members of joint venture or association shall be jointly and severally liable for the execution of the Contract in accordance with the Contract terms.</p> <p>c) Lead Partner shall represent all the Partners of the joint venture or association in discharging the obligations of the joint venture or association. Accordingly the joint venture or association shall nominate one Representative from Lead Partner, who shall have the authority to conduct all business for and on behalf of any and all the partners of the joint venture or association during the prequalification process and, in the event the joint venture or association is prequalified, during the bidding process, and in the event the joint venture or association is awarded the Contract, during contract execution. In this regard, each of the joint venture or association Partners shall submit the Power of Attorney duly signed by their respective 'Authorized Signatory' along with the Application for Pre-qualification.</p> <p>d) The Power of Attorney, in respect of the 'Authorized Signatory' of the respective Partners duly supported by their respective Board Resolution shall also be submitted along with the Application for pre-qualification.</p> <p>Alternatively a valid and current Power of Attorney to act on behalf of the company duly supported by authenticated evidence establishing the authority of the person issuing the said Power of Attorney is also acceptable. A Board Resolution is one way of validating such authenticity. Other valid & authentic documentation confirming that the person issuing the Power of Attorney has the authority to do so, would also be acceptable.</p>
ITA 4.3	<p>Supplement ITA 4.3 with the following</p> <p>As part of the Application for Pre-qualification, the Applicant shall submit an undertaking from each of the proposed Partners and Sub-contractors / Sub-consultants, duly signed by their Authorized Signatories, that they do not have any conflict of interest under the provisions of Clause ITA 4.3 (a), (b) & (c).</p>

ITA 4.4	<p>Replace ITA 4.4 with the following :</p> <p>An applicant shall participate only in one application in the same Prequalification Process either individually as single entity (Prime Contractor) or as a Partner of a joint venture or association. An applicant as a Single entity (a Prime Contractor) or JV/Association Partner who submits, or participates in, more than one application will cause all the applications, in which the entity has participated, to be disqualified. No applicant as a Single entity (a Prime Contractor) or JV/Association Partner can be a Sub-contractor or Sub-consultant while submitting an application under the same Pre-qualification process. A Sub Contractor / Sub consultant in any application may participate in more than one application but only in that capacity.</p>
ITA 4.7	<p>The following clause shall be added as ITA 4.7 after ITA 4.6</p> <p>The Applicant shall be considered in-eligible if any of its Partners and / or Sub Contractors / Sub Consultants included in the Application for Prequalification has been banned for business with Ministry of Railways along with any of its attached and subordinate offices through an order issued by Ministry of Railways as per list available on Web site (http://www.indianrailways.gov.in/railwayboard) of Civil Engg. Directorate of Railway Board pertaining to Banning of Business, with the Banning being valid as on the last date of submission the PQ Application.</p> <p>The Applicant / each partner of the joint venture or association including the proposed sub-contractors, sub-consultants shall submit an undertaking to this effect duly signed by their authorized signatory along with the Application for prequalification.</p>
B. Contents of the Prequalification Documents	
ITA 7.1	<p>For clarification purposes only, the Employer's address is:</p> <p>Attention: Mr. Dhanesh Gupta Floor/Room number: Room No. 505, 5th Floor, Pragati Maidan, Metro Station Building City: New Delhi ZIP Code: 110001 Country: INDIA Telephone: +91-11-2345-4650 Facsimile number: +91-11-2345-4701 Electronic mail address: scc@dfcc.co.in</p> <p>Any clarification shall be submitted to the above address not later than twenty-one (21) days prior to the deadline of submission of application.</p> <p>A copy of queries, together with the answers of DFCCIL will be issued not later than ten (10) days before the closing date of the Prequalification Application, to all Applicants who have purchased PQ Document.</p>
ITA 8.1	<p>Any addendum will be issued not later than ten (10) days before the closing date of the Prequalification Application, to all Applicants who have purchased PQ Document.</p>
ITA 8.2	<p>Any addendum to the Prequalification document shall also be uploaded on the web site of DFCCIL i.e. www.dfcc.org.</p>

C. Preparation of Applications	
ITA 10.1	The language of the application as well as of all correspondence is: English
ITA 11.1 (d)	<p>The Applicant shall submit with its application, the following additional documents:</p> <ol style="list-style-type: none"> 1. Soft Copy of the PQ Application on one (1) set of a compact disc(s) in a non editable format. The compact disc shall bear the signature of the Authorized Signatory of the Applicant in indelible ink. 2. Submission of letter of intent (LOI) or joint venture / association agreement at the PQ stage , <ol style="list-style-type: none"> (i) LOI needs to specify the following <ol style="list-style-type: none"> (a) Identification of Lead Partner (from Japan) and endorsement about its having maximum financial stake amongst the other Partners. (b) Total share of Japanese Partners being more than 50% of the Contract amount. (c) joint and several liabilities of all the Partners (d) LOI requires to be signed by authorized signatories of all the Partners. <p style="margin-left: 40px;">A format for LOI is enclosed at Form ELI 1.1 A in Section –IV.</p> (ii) In case of joint venture (JV) or association agreement, it shall clearly bring out the role of each Partner of the joint venture or association in addition to the requirements as specified in the LOI. However, submission of joint venture or association agreement is not a mandatory requirement at Pre-qualification stage and same would be mandatory at the bidding stage. 3. An undertaking from each Sub-contractor / Sub-consultant proposed indicating its willingness to associate with the Applicant as a Sub-contractor/ Sub-consultant for the particular activity against which his credentials have been offered by the Applicant in the application for the Prequalification.

ITA 14.1	<p>The following para shall be added at the end of clause ITA 14.1</p> <ol style="list-style-type: none"> 1. The Applicant shall also submit Documentary evidence / Client's Certificates in support of the Applicant's claim of the Experience (General and Specific) in respect of each contract as included in Section IV, Application Forms. In case of the works / financial situations involving foreign currencies, the same shall be converted to USD by first converting it to Japanese Yen and then to USD by applying the foreign exchange rate as specified in Section III : Qualification Criteria and Requirements. 2. The experience certificate issued by the Engineer acting on behalf of the Client shall also be considered provided the documentary evidence, establishing the appointment of the said Engineer by the Client is also submitted along with the experience certificate issued by the said Engineer. For establishing the identity of such Engineer, alternatively, a self certification duly attested by Notary Public may also be furnished to establish that the said Engineer was appointed by the Client. <p>2.1 As a further alternative, in addition to the above, in case of PPP projects, the Concessionaire can give experience certificate to the Construction Contractor to which the execution work is subsequently awarded by the same Concessionaire. However such certificate will need to be countersigned by :</p> <ol style="list-style-type: none"> a) The concerned Public Authority who has granted the concession, clearly indicating the name, designation and official address of the signing authority <p style="text-align: center;">OR</p> <ol style="list-style-type: none"> b) Independent Engineer appointed by the concerned Public Authority who has granted the concession clearly indicating the name, designation and official address of the signing authority. The document(s) establishing the appointment of the said Independent Engineer shall also be required. <p style="text-align: center;">OR</p> <p>2.2 Alternatively, the Applicant shall submit a notarized set of documents comprising of</p> <ol style="list-style-type: none"> a) A Self certification of the work undertaken, period of execution, quantities and money value <p style="text-align: center;">&</p> <ol style="list-style-type: none"> b) Completion Certificate by the Concessionaire / Contractor as the case may be, clearly indicating : <ol style="list-style-type: none"> i) The subsequent award of work to the Applicant by Concessionaire / Contractor, as the case may be ii) Name, scope of work, period of completion and total cost of work, subsequently awarded to the Applicant iii) Period of execution (from date of start of work – date of completion) iv) Quantities of individual items in satisfaction of para 4.2 (b) and 4.3 (b) of Section III – Qualification Criteria and Requirements, clearly indicating the monetary equivalent of execution of each of aforementioned items (as mentioned under Para 4.2 (b) and 4.3 (b) of Section III – Qualification Criteria and Requirements)
PQCTP-IDP229-11.doc	

	<p>v) Total money paid to / received by the Applicant clearly indicating the revised value of the Contract</p> <p>vi) A clear averment to the effect that whether the work was completed / Taken Over or substantially completed in light of Para 4.2 (a) and 4.3 (a) of Section III - Qualification Criteria and Requirements</p> <p>c) In case the option of Para 2.2 above is exercised by the Applicant, then a documentary evidence establishing the identity of the Concessionaire / Contractor either by the Public Authority or by Independent Engineer engaged by the Public Authority is also required</p> <p>Notes :</p> <ol style="list-style-type: none"> 1. The quantities executed by the Applicant during a calendar year / financial year shall be assessed on pro-rata basis for the period from commencement of the project to the date of the Bill 2. In case of any Applicant / Sub-contractor claims execution of certain work in order to fulfill eligibility criteria which has also been claimed by some other Applicant / Sub-contractor, that experience of work in question would not be aggregated while evaluating the eligibility of both the involved Applicants. 3. The Documentation / Information produced / furnished by Applicant / Partners / Sub-contractor / Sub-design Consultant shall be subject to verification by the Employer at any stage during the PQ or the Bidding Process or during the Contract execution. In case of the incorrect certification / information being noticed during such verification, the Applicant shall be disqualified or suitable action taken as per the extent Contractual Provisions, as the case may be. 																								
<p>ITA 14.2</p>	<p>The following clause shall be added as ITA 14.2 after ITA 14.1</p> <p>In addition to the details submitted by the Applicant in Section IV : Application Forms, the Applicant shall also prepare and submit a summary of his claimed experience vis-a-vis qualification criteria requirements, clearly explaining as to how the Applicant is meeting the qualification requirements in respect of each of the key activities . The suggested format for the same is as under:-</p> <p>General Construction Experience---- (4.1 of Section III)</p> <table border="1" data-bbox="453 1480 1370 1776"> <thead> <tr> <th><i>Sl. no.</i></th> <th><i>Name of the Applicant/ Partner</i></th> <th><i>Name of the project</i></th> <th><i>Role of the partner</i></th> <th><i>Period</i></th> <th><i>Reference page of the supporting document</i></th> </tr> </thead> <tbody> <tr> <td> </td> <td> </td> <td> </td> <td> </td> <td> </td> <td> </td> </tr> <tr> <td> </td> <td> </td> <td> </td> <td> </td> <td> </td> <td> </td> </tr> <tr> <td> </td> <td> </td> <td> </td> <td> </td> <td> </td> <td> </td> </tr> </tbody> </table>	<i>Sl. no.</i>	<i>Name of the Applicant/ Partner</i>	<i>Name of the project</i>	<i>Role of the partner</i>	<i>Period</i>	<i>Reference page of the supporting document</i>																		
<i>Sl. no.</i>	<i>Name of the Applicant/ Partner</i>	<i>Name of the project</i>	<i>Role of the partner</i>	<i>Period</i>	<i>Reference page of the supporting document</i>																				

	<p>Specific Construction Experience --- (4.2 (a) of Section III)</p> <p>General Design Experience --- (4.3 (a) of Section III)</p> <table border="1" style="width: 100%; border-collapse: collapse; margin-top: 10px;"> <thead> <tr> <th style="width: 5%;">Sl. no.</th> <th style="width: 15%;">Name of the Applicant/Partner</th> <th style="width: 15%;">Name of the project</th> <th style="width: 10%;">Role of the partner</th> <th style="width: 10%;">Period</th> <th style="width: 10%;">Contract amount (Million USD)</th> <th style="width: 10%;">Field (Railways, Highways...)</th> <th style="width: 10%;">Whether Substantially completed / Taken over</th> <th style="width: 15%;">Reference page of the supporting document</th> </tr> </thead> <tbody> <tr><td> </td><td> </td><td> </td><td> </td><td> </td><td> </td><td> </td><td> </td><td> </td></tr> <tr><td> </td><td> </td><td> </td><td> </td><td> </td><td> </td><td> </td><td> </td><td> </td></tr> <tr><td> </td><td> </td><td> </td><td> </td><td> </td><td> </td><td> </td><td> </td><td> </td></tr> </tbody> </table>										Sl. no.	Name of the Applicant/Partner	Name of the project	Role of the partner	Period	Contract amount (Million USD)	Field (Railways, Highways...)	Whether Substantially completed / Taken over	Reference page of the supporting document																																			
Sl. no.	Name of the Applicant/Partner	Name of the project	Role of the partner	Period	Contract amount (Million USD)	Field (Railways, Highways...)	Whether Substantially completed / Taken over	Reference page of the supporting document																																														
	<p>Key Activity---- (4.2 (b) & 4.3 (b) of Section III)</p> <table border="1" style="width: 100%; border-collapse: collapse; margin-top: 10px;"> <thead> <tr> <th style="width: 5%;">Sl. no.</th> <th style="width: 10%;">Name of the Applicant/Partner</th> <th style="width: 10%;">Name of the project</th> <th style="width: 10%;">Role of the partner</th> <th style="width: 10%;">Period</th> <th style="width: 10%;">Field (Railways, Highways...)</th> <th style="width: 10%;">Whether Substantially completed / Taken over</th> <th style="width: 10%;">Total quantity (of respective Key Activities)</th> <th style="width: 10%;">% share in case of work execute as JV partner</th> <th style="width: 10%;">Claimed qty. (of respective Key Activities)</th> <th style="width: 10%;">Reference page of the supporting document</th> </tr> </thead> <tbody> <tr><td> </td><td> </td><td> </td><td> </td><td> </td><td> </td><td> </td><td> </td><td> </td><td> </td><td> </td></tr> <tr><td> </td><td> </td><td> </td><td> </td><td> </td><td> </td><td> </td><td> </td><td> </td><td> </td><td> </td></tr> <tr><td> </td><td> </td><td> </td><td> </td><td> </td><td> </td><td> </td><td> </td><td> </td><td> </td><td> </td></tr> </tbody> </table>										Sl. no.	Name of the Applicant/Partner	Name of the project	Role of the partner	Period	Field (Railways, Highways...)	Whether Substantially completed / Taken over	Total quantity (of respective Key Activities)	% share in case of work execute as JV partner	Claimed qty. (of respective Key Activities)	Reference page of the supporting document																																	
Sl. no.	Name of the Applicant/Partner	Name of the project	Role of the partner	Period	Field (Railways, Highways...)	Whether Substantially completed / Taken over	Total quantity (of respective Key Activities)	% share in case of work execute as JV partner	Claimed qty. (of respective Key Activities)	Reference page of the supporting document																																												
ITA 15.1	<p>The ITA 15.1 shall be replaced with the following</p> <p>The Applicant shall prepare one original of the documents comprising the application as described in ITA 11 and clearly mark it "ORIGINAL". The original of the application shall be typed or written in indelible ink and shall be signed by the Signatory Authorized to sign on behalf of Applicant as defined in ITA 4.1 a) (iv) provided in PDS.</p> <p>In addition to this, all the documents pertaining to the information and experience, as claimed by the Applicant, shall also be signed by the Authorized Signatory of the respective Partner / Sub-contractor/ Sub-consultant to whom the information and the claimed experience actually belongs to.</p>																																																					
ITA 15.2	<p>In addition to the original, the number of copies to be submitted with the application is: three (3).</p>																																																					
ITA 15.3	<p>The following clause shall be added as ITA 15.3 after ITA 15.2</p> <p>The Original and all the copies of Application shall be hard bound. Each page of the Application shall be serially numbered and indexed.</p>																																																					

D. Submission of Applications	
ITA16.3	<p>The following clause shall be added as ITA 16.3 after ITA 16.2</p> <p>The Applicant shall clearly specify Contract Package Number on the covering Page of the Application Documents intending to apply for the following Package:</p> <p style="padding-left: 40px;">Civil, Building and Track Works Package 11 (CT P-11)</p>
ITA 17.1	<p>For application submission purposes only, the Employer's address is:</p> <p>Attention: Mr. Dhanesh Gupta Floor/Room number: Room No. 505, 5th Floor, Pragati Maidan Metro Station Building City: New Delhi ZIP Code: 110001 Country: INDIA Telephone: +91-11-2345-4650 Facsimile number: +91-11-2345-4701 Electronic mail address: scc@dfcc.co.in</p> <p>The deadline for application submission and opening is: Date: 04-08-2014 Time: 15:00 hours for submission and 15:30 hours for opening</p>
E. Procedures for Evaluation of Applications	
ITA 23.1	<p>The ITA 23.1 shall be replaced with the following</p> <p>Applicants planning to subcontract key activities of Hard Rock Cutting, Tunneling and Mechanised Track Laying, as identified in 4.2(b) (2, 3, 6) of Section III, Qualification Criteria and Requirements, shall specify in the Application Submission Form.</p> <p>Applicants shall clearly identify the proposed specialist Subcontractor(s) in Forms ELI-1.2 and EXP (experience)-4.2(b) in Section IV: Application Forms. Such proposed specialist Subcontractors shall meet the corresponding qualification requirements specified in Section III: Qualification Criteria and Requirements.</p> <p>Applicant shall clearly identify the proposed specialist Sub-design Consultant(s) in Form 4.3 (a) and (b) (if required) in respect of Design Experience. Such proposed specialist Sub-design Consultant(s) shall meet the corresponding qualification requirements specified in Section III, Qualification Criteria and Requirements. In case of multiple Specialist Sub-Design Consultants proposed, the Applicant to specify the group of Specialist Sub-Design Consultants (individually meeting the corresponding requirements specified in Section III, Qualification Criteria and Requirements) he intends to use at the Bidding /Award stage.</p>
ITA 23.2	<p>At this time, the Employer does not intend to execute certain specific parts of the Works by subcontractors selected in advance (Nominated Subcontractors).</p>

F. Evaluation of Applications and Prequalification of Applicants	
ITA 24.1	<p>Supplement ITA 24.1 with the following</p> <p>“The Credentials of Associates, Parent Companies or Sister Companies shall not be considered unless they are part of joint venture / association.</p> <p>Both in case of 100% owned SPVs as well as subsidiaries, with respect to (a) Technology (b) Financials and (c) Intellectual Property Rights, the parent company can aggregate these for the purpose of qualification criteria so long as the parent company prepares a consolidated balance sheet that includes the financials of these subsidiaries and SPVs.</p> <p>However, this will not be permitted in case of clause no. 4.2(b) of Section III i.e. experience in key activities undertaken by subsidiaries (including 100% SPVs) will not qualify as experience of Parent Company unless the subsidiaries (including 100% SPVs) are also part of the Consortiums /Joint Venture/Association.</p> <p>Rules for Rounding off Numerical Values: While evaluating the quantitative credentials of the Applicant, the decimal values shall be rounded off to the next higher digit e.g. a figure of say 14.1 shall be rounded off to 15 for evaluation purpose.”</p>
ITA 24.3	<p>In case of an Applicant who has been awarded the work of Combined Package CTP-1&2 and / or Package CT P-3 (of WDFC Phase I) and / or CT P-12 and / or CT P-13 (of WDFC Phase II), the Applicant would be required to meet the aggregated eligibility criteria (as per Para 3.2 and 4.2 (b) of Section III) for CT P-1&2 and / or CT P-3 and CT P-12 and / or CT P-13 and CT P-11, as the case may be, at the time of submission of proposal against RFP for this Package.</p>
ITA 29	<p>ITA 29.1 to be replaced with the following,</p> <p>Any change in the structure or formation of an Applicant after being prequalified in accordance with ITA 26 and invited to bid shall be subject to a written approval of the Employer prior to the deadline for submission of bids. Any such changes shall be submitted to the Employer not later than Twenty One (21) days prior to submission of bids. Such approval shall be denied if as a consequence of the change:</p> <ul style="list-style-type: none"> a) the prequalified Applicant, after the change, no longer meets the qualification criteria set forth in Section III, Qualification Criteria and Requirements; or b) in the opinion of the Employer, a substantial reduction in competition may result. <p>The Employer shall not consider prequalification of any Applicant by omitting any ineligible partner / Sub-contractor / Sub-consultant, included in the Application for pre-qualification.</p>

Section III. Qualification Criteria and Requirements**Notes on Qualification Criteria and Requirements**

Section III, Qualification Criteria and Requirements contains all the methods, criteria, and requirements that the Employer will use to evaluate applications. The information to be provided in relation to each requirement and the definitions of the corresponding terms are included in the respective Application Forms.

DFCCIL requires bidders to be prequalified by precise minimum requirements. The method entails setting pass-fail criteria which, if not met by the Applicant, result in disqualification.

The criteria adopted relate to characteristics that are essential to ensure satisfactory execution of the contract. The criteria are also set so that they neither inhibit competition nor set a predetermined number of firms to be prequalified. All firms that meet the criteria shall be invited to bid.

The evaluation will be undertaken by DFCCIL with the assistance of the Engineering Consultant as described in ANNEXURE 1.

Table of Contents

1. Eligibility	31
2. Historical Contract Non-Performance.....	32
3. Financial Situation	33
4. Experience	35

Eligibility and Qualification Criteria			Compliance Requirements				Documentation
No.	Subject	Requirement	Single Entity	Joint Venture or Association			Submission Requirements
				All Partners Combined	Each Partner	At Least One Partner	
1. Eligibility							
1.1	Nationality	Nationality in accordance with ITA Sub-Clause 4.2	Must meet requirement	Existing or intended joint venture / association must meet requirement	Must meet requirement	N/A	Forms ELI – 1.1 and 1.2, with attachments
1.2	Conflict of Interest	No conflicts of interest in ITA Sub-Clause 4.3	Must meet requirement	Existing or intended joint venture / association must meet requirement	Must meet requirement	N/A	Application Submission Form
1.3	JICA Ineligibility	Not having been declared ineligible by JICA, as described in ITA Sub-Clause 4.5	Must meet requirement	Existing joint venture / association must meet requirement	Must meet requirement	N/A	Application Submission Form
1.4	Banning of Business with MOR	Not having been banned for business with Ministry of Railways along with any of its attached and subordinate offices Source: indianrailways.gov.in/railway board, as described in PDS Sub-Clause 4.7	Must meet requirement	Existing or intended joint venture / association must meet requirement	Must meet requirement	N/A	Application Submission Form

Eligibility and Qualification Criteria		Compliance Requirements			Documentation		
No.	Subject	Requirement	Single Entity	Joint Venture or Association			Submission Requirements
				All Partners Combined	Each Partner	At Least One Partner	
2. Historical Contract Non-Performance							
2.1	History of Non-Performing Contracts	Non-performance of a contract did not occur within the last two years prior to the deadline for application submission based on all information on fully settled disputes or litigation. A fully settled dispute or litigation is one that has been resolved in accordance with the Dispute Resolution Mechanism under the respective contract and where all appeal instances available to the Applicant have been exhausted.	Must meet requirement by itself or as partner to past or existing joint venture / association	N/A	Must meet requirement by itself or as partner to past or existing joint venture / association	N/A	Form CON-2
2.2	Pending Litigation (including Arbitration)	All pending litigation (including arbitration) shall in total not represent more than 50 % of the Applicant's net worth of the latest year and shall be treated as resolved against the Applicant.	Must meet requirement by itself or as a partner to past or existing joint venture / association	N/A	Must meet requirement by itself or as a partner to past or existing joint venture / association	N/A	Form CON – 2

Eligibility and Qualification Criteria			Compliance Requirements			Documentation	
No.	Subject	Requirement	Single Entity	Joint Venture or Association			Submission Requirements
				All Partners Combined	Each Partner	At Least One Partner	
3. Financial Situation							
3.1	Financial Performance	<p>Submission of audited balance sheets or if not required by the law of the Applicant's country, other financial statements acceptable to the Employer, for the last five (5) years to demonstrate the current soundness of the Applicant's financial position and its prospective long term profitability.</p> <p>As the minimum requirement, an Applicant's net worth calculated as the difference between total assets and total liabilities should be positive for total of five (5) years.</p> <p>(Note that the total liabilities include Long-Term and Short Term Liabilities)</p>	Must meet requirement	N/A	Must meet requirement	N/A	Form FIN – 3.1 with attachments
3.2	Average Annual Construction Turnover	<p>Minimum average annual construction turnover of US\$ 240 million¹, calculated as total certified payments received for contracts in progress or completed, within the last five (5) years.</p> <p>Note 1: For average annual construction turnover, the turnover related to all activities consisting of building/</p>	Must meet requirement	Must meet requirement	Must meet 25% of the requirement	Must meet 40% of the requirement	Form FIN – 3.2

Eligibility and Qualification Criteria			Compliance Requirements			Documentation	
No.	Subject	Requirement	Single Entity	Joint Venture or Association			Submission Requirements
				All Partners Combined	Each Partner	At Least One Partner	
		assembling /erection of physical assets, transportation infrastructure, manufacturing plants, pipe lines, power projects, transmission lines, manufacturing and erection of steel structure, railway project, refineries etc. shall be considered.					
<p>Notes:</p> <p><u>3.1 Financial Performance:</u> Bidders will be required at the bidding stage to demonstrate their construction cash flow to verify the soundness and stability of their financial circumstances. The Bidders would be required to demonstrate capacity to meet the initial cash flow requirements for a maximum period of six months.</p> <p><u>3.2: Average Annual Construction Turnover</u></p> <p>The foreign exchange rate for conversion of any currency to JPY and subsequently to US\$ shall be TTS rate of the Bank of Tokyo Mitsubishi UFJ (BTMU) at the 28 days prior to final submission of PQ Application. The applicant shall also submit the documentary evidence in respect of the same.</p>							

Eligibility and Qualification Criteria			Compliance Requirements			Documentation	
No.	Subject	Requirement	Single Entity	Joint Venture or Association			Submission Requirements
				All Partners Combined	Each Partner	At Least One Partner	
4. Experience							
4.1	General Construction Experience	Experience under construction contracts in the role of contractor, management contractor ¹ , or subcontractor, for at least the last five (5) years prior to the application submission deadline, and with activity in at least nine (9) months in each year.	Must meet requirement	Must meet requirement (for any year any partner to meet the requirement)	N/A	N/A	Form EXP – 4.1 with project description sheets including major work quantities
4.2 (a)	Specific Construction Experience	Experience exclusively in the role of Single entity (a Prime Contractor) or Partner in existing or past JV “, in at least (1) Two (2) contracts of 150 million US\$ each OR (2) Three (3) contracts of 100 million US\$ each within the last ten (10) years, (prior to the application submission deadline) that have been Substantially Completed or have received Taking-over Certificate for whole of the Works as the result of successfully and substantially completed and that are similar to the proposed Works. The project shall be considered to have	Must meet requirement	Must meet requirement	N/A	N/A	Form EXP – 4.2 (a) with project description sheets including major work quantities

Eligibility and Qualification Criteria			Compliance Requirements			Documentation	
No.	Subject	Requirement	Single Entity	Joint Venture or Association			Submission Requirements
				All Partners Combined	Each Partner	At Least One Partner	
		<p>been Substantially Completed if the Applicant has received payment against the work done to the extent of 90% or more of the contract value.</p> <p>The similarity shall be based on the physical size, complexity, methods/technology or other characteristics as described in Section VI, Scope of Works.</p> <p>The Works pertaining to Railways, Highways, Sea/Air Ports, Dams/ Hydroelectric Power Projects (HPP), and Irrigation Projects shall only be considered.</p>					
4.2 (b)	Specific Construction Experience for Key Activities	For the above or other contracts executed during the period stipulated in 4.2 (a) above, a construction experience, as prime contractor, management contractor, or subcontractor, in the following key activities:					
		(1) minimum 2.0 x10 ⁶ cum of earthfill in any one year (Calendar Year or Financial Year)	Must meet requirement	Must meet requirement	N/A	N/A	Form EXP – 4.2(b) with project description sheets including major work quantities
		(2) minimum 0.50 x10 ⁶ cum of hard rock cutting in any one year (Calendar Year or Financial Year)	Must meet requirement (can be a specialist subcontractor)	Must meet requirement (can be a specialist subcontractor)	N/A	N/A	

Eligibility and Qualification Criteria			Compliance Requirements			Documentation	
No.	Subject	Requirement	Single Entity	Joint Venture or Association			Submission Requirements
				All Partners Combined	Each Partner	At Least One Partner	
		(3) minimum 180 m of Tunneling (equivalent dia. not less than 6m) in any one year (Calendar Year or Financial Year)	for hard rock cutting in which case the requirement to be met with by one single specialized Sub Contractor) Must meet requirement (can be a specialist subcontractor for tunneling in which case the requirement to be met with by one single specialized Sub Contractor)	for hard rock cutting in which case the requirement to be met with by one single specialized Sub Contractor) Must meet requirement (can be a specialist subcontractor for tunneling in which case the requirement to be met with by one single specialized Sub Contractor)	N/A	N/A	
		(4) minimum 1,00,000 cum concrete of bridges/viaducts/culverts/tunnels in any one year (Calendar Year or Financial Year)	Must meet requirement	Must meet requirement	N/A	N/A	
		(5) Building having total floor area of minimum 3,000 sqm in any one year (Calendar Year or Financial	Must meet requirement	Must meet requirement	N/A	N/A	

Eligibility and Qualification Criteria			Compliance Requirements			Documentation	
No.	Subject	Requirement	Single Entity	Joint Venture or Association			Submission Requirements
				All Partners Combined	Each Partner	At Least One Partner	
		<p>Year (6) Minimum 40 km of mechanized track laying² in any one year (Calendar Year or Financial Year)</p> <p>The Works pertaining to Railways, Highways, Sea/Air Ports, Dams/ Hydroelectric Power Projects (HPP), and Irrigation Projects shall only be considered. In addition to the above, the Building Works executed in Thermal Power Projects, Heavy Industries and Refineries shall also be considered.</p>	<p>Must meet requirement (can be a specialist subcontractor for track laying in which case the requirement to be met with by one single specialized Sub Contractor)</p>	<p>Must meet requirement (can be a specialist subcontractor for track laying in which case the requirement to be met with by one single specialized Sub Contractor)</p>	N/A	N/A	
4.3 (a)	General Design Experience	<p>Experience exclusively in the role of prime contractor, subcontractor, design consultant or sub-design consultant, in at least two (2) design contracts of not less than US\$ 400, 000 each within the last ten (10) years, that have been Substantially Completed or have received Taking-over Certificate for whole of the Works as the result of successfully and substantially completed and that are similar to the proposed Works.</p> <p>The project shall be considered to have been Substantially Completed if the Applicant has received payment</p>	<p>Must meet requirement (can be specialist sub-design consultant(s))</p> <p>(Each Specialist Sub-Design Consultant must meet at least single design contract of value not less than US\$</p>	<p>Must meet requirement (can be specialist sub-design consultant(s))</p>	<p>Each Design Partner/each Specialist Sub-Design Consultant must meet at least single design contract of value not less than US\$ 250,000</p>		<p>Form EXP – 4.3 (a) with project description sheets including major work quantities</p>

Eligibility and Qualification Criteria			Compliance Requirements			Documentation	
No.	Subject	Requirement	Single Entity	Joint Venture or Association			Submission Requirements
				All Partners Combined	Each Partner	At Least One Partner	
		<p>against the work done to the extent of 90% or more of the contract value</p> <p>The similarity shall be based on the physical size, complexity, methods/technology or other characteristics as described in Section VI, Scope of Works.</p> <p>The Works pertaining to Railways, Highways, Sea/Air Ports, Dams/ Hydroelectric Power Projects (HPP), and Irrigation Projects shall only be considered. In addition to the above, the Building Works executed in Thermal Power Projects, Heavy Industries, Refineries shall also be considered.</p>	250,000)				
4.3 (b)	Specific Design Experience	For the above or other similar contracts executed during the period stipulated in 4.3 (a) above, a minimum design experience in the following key activities:					
		(1) Should have designed Railway / Highway alignment, embankment in similar nature (physical size, complexity and method forms)	Must meet requirements (can be specialist sub-design consultant(s))	Must meet requirements (can be specialist sub-design consultant(s))	N/A	N/A	Form EXP – 4.3 (b) with project description sheets including major work quantities
		(2) Should have designed at least 5 Major Bridges / Flyovers / ROBs /	Must meet requirements	Must meet requirements	N/A	N/A	

Eligibility and Qualification Criteria			Compliance Requirements			Documentation	
No.	Subject	Requirement	Single Entity	Joint Venture or Association			Submission Requirements
				All Partners Combined	Each Partner	At Least One Partner	
		RUBs of similar nature as proposed. (3) Should have designed Tunnel (not less than 6m dia.) in similar nature (physical size, complexity and method forms) Note: In case of multiple Specialist Sub-Design Consultants proposed, the Applicant to specify the group of Specialist Sub-Design Consultants (individually meeting the specified requirements) he intends to use at the Bidding Stage.	(can be specialist sub-design consultant(s)) Must meet requirements (can be specialist sub-design consultant(s))	(can be specialist sub-design consultant(s)) Must meet requirements (can be specialist sub-design consultant(s))	N/A	N/A	
Notes: <u>4.1: General Construction Experience</u> 1. A management contractor is a firm which takes on the role of contract management as a “general” contractor of sort could do. It does not normally perform directly the construction work(s) associated with the contract. Rather, it manages the work of other (sub) contractors while bearing full responsibility and risk for price, quality, and timely performance of the work contract. <u>4.2: Specific Construction Experience</u> 2. Mechanized Track Laying means: “Laying or relaying of rail panels of 250/260 meters or more welded by mobile / stationery / flash butt welding plant under control conditions in depots. Track Linking by use of portals, cranes, rail threader, track laying machines and use of tamping machines, dynamic track stabilizers, shoulder ballast compactors for making track fit for traffic movement.							

Section IV. Application Forms

Table of Forms

Application Submission Form.....	42
Check List	44
Form ELI -1.1 Applicant Information Form.....	47
Form ELI -1.1A Letter of Intent to Enter into an Agreement.....	48
Form ELI -1.2 Applicant Partner Information Form.....	50
Form CON -2 Historical Contract Non-Performance	51
Form FIN -3.1 Financial Situation	53
Form FIN -3.2 Average Annual Construction Turnover.....	55
Form EXP -4.1 General Construction Experience	56
Form EXP -4.2 (a) Specific Construction Experience	57
Form EXP -4.2 (b) Specific Construction Experience in Key Activities	59
Form EXP -4.3 (a) General Design Experience.....	61
Form EXP -4.3 (b) Specific Design Experience in Key Activities	63

Application Submission Form

Date: *[insert day, month, year]*
Reference ID No.: *[insert number, if any]*

To: *[insert full name of Employer]*

We, the undersigned, apply to be prequalified for the contract of referenced number and declare that:

- (a) We have examined and have no reservations to the Prequalification Documents, including Addendum(s) No(s)., issued in accordance with Instructions to Applicants (ITA) Clause 8:

[insert the number and issuing date of each addendum]

- (b) We, including any subcontractors or suppliers for any part of the contract resulting from this prequalification process, have nationalities from eligible countries of Japanese ODA Loans, in accordance with ITA Sub-Clause 4.2:

[insert the nationality of the Applicant, including that of all partners in case of a Joint Venture, and the nationality of each already identified subcontractor and supplier of related services, if applicable];

- (c) We, including any subcontractors or suppliers for any part of the contract resulting from this prequalification, do not have any conflict of interest, in accordance with ITA Sub-Clause 4.3;

- (d) We, including any subcontractors / sub-consultants or suppliers for any part of the contract resulting from this prequalification, have not been declared ineligible by JICA, in accordance with ITA Sub-Clause 4.5;

- (e) We, in accordance with ITA Sub-Clause 23.1, plan to subcontract the following key activities and/or parts of the Works:

[insert any of the key activities identified in Section III- 4.2 (b) and Section III- 4.3 which the Applicant intends to subcontract]

- (f) We understand that you may cancel the prequalification process at any time and that you are neither bound to accept any application that you may receive nor to invite the prequalified Applicants to bid for the contract subject of this prequalification, without incurring any liability to the Applicants, in accordance with ITA Clause 25.

- (g) We are seeking pre-qualification for Package CT P-11.

- (h) We attach herewith a check list of various submissions along with reference page numbers required as per the PQ Document.

Signed [insert signature(s) of an authorized representative(s) of the Applicant]

Name [insert full name of person signing the application]

In the capacity of [insert capacity of person signing the application]

Duly authorized to sign the application for and on behalf of:

Applicant's name [insert full name of Applicant]

Address [insert street number/town or city/country address]

Dated on [insert day number] day of [insert month], [insert year]

CHECK LIST

Sl. No.	Requirement	Reference Clause No. of PQ Document	Submitted or not	Reference Page No. of PQ Application
1.	Details of the Demand draft of 'Rs. 12,000 or US\$ 200 + 5% VAT' in favour of DFCCIL towards the purchase of PQ Document	IFP 6 and IFP 9		
2	Letter of Intent to form joint venture or a joint venture / association agreement duly signed by all the partners of the joint venture / association	ITA 4.1, Form-ELI-1.1A, Section-V		
3	Undertaking from each proposed Sub-contractor / Sub-consultant indicating its willingness to associate with the Applicant	ITA 11.1 (d) (3) (PDS)		
4	Undertaking from each partner of Applicant including their proposed Sub Contractors & Sub-Consultants regarding no conflict of interest	ITA 4.3 (PDS)		
5	An undertaking from the Applicant / each partner of the joint venture / association and proposed specialist sub-contractors for mechanized track laying and sub-design consultant for Design Work / suppliers regarding banning of business by Government of India	ITA 4.7 (PDS)		
6	Power of Attorney to one representative from the Lead Partner duly signed by the authorized representative of all the partners of joint venture / association	ITA 4.1 (a) (PDS)		
7	Power of Attorney in respect of authorized representative of each partner of the joint venture / association including proposed Sub Contractors & Sub-Consultants	ITA 4.1 (c) (PDS)		
8	Soft Copy of PQ Application on one set of CD	ITA 11.1(d) (PDS)		
9	Original + 3 Copies of PQ Application	ITA 15.2 (PDS)		
10	Original and all Copies of PQ Application are hard bound, all pages serially numbered and indexed	ITA 15.3 (PDS)		
11	PQ Application signed by authorized representative of joint venture / association as well as authorized representative of the respective joint venture / association partner to whom the submitted information / claimed	ITA 15.1 (PDS)		

	experience actually belongs to			
12	Application Information Form	Form ELI-1.1		
13	Article of incorporation of the Applicant/Lead Partner	ITA-4.1, ITA -4.2 & Form ELI-1.1		
14	Applicant's Partner's Information Form	Form ELI-1.2		
15	Article of incorporation of all the partners of the joint venture or association including sub-contractor(s) and design consultant	ITA-4.1, ITA -4.2 & Form ELI-1.2		
16	Historical Contract Non Performance : (1-History of non performing contracts, 2-Pending litigation (including Arbitration)	Form CON-2		
17	Financial Situation (duly certified by independent Public / Chartered Accountant) in respect of each partner of the joint venture / association	Form FIN-3.1		
18	Copies of audited Financial Statements for the last five Financial Years in respect of each partner of the joint venture / association	Form FIN-3.1		
19	Average Annual Construction Turn over (duly certified by independent Public / Chartered Accountant) in respect of each partner of the joint venture / association	Form FIN-3.2		
20	General Construction Experience in respect of each partner of the joint venture / association duly supported by Experience Certificate issued by Client / Engineer / Concessionaire / Contractor	Form EXP-4.1		
21	Specific Construction Experience in respect of each partner of the joint venture / association duly supported by Experience Certificate issued by Client / Engineer / Concessionaire / Contractor	Form EXP-4.2(a)		
22	Specific Construction Experience in Key Activities in respect of each partner of the joint venture / association or specialist sub-contractor duly supported by Experience Certificate issued by Client / Engineer / Concessionaire / Contractor	Form EXP-4.2(b)		
23	General Design Experience (from Applicant or Specialist Sub Design Consultant) duly supported by Experience Certificate issued by Client / Engineer / Concessionaire / Contractor	Form EXP-4.3(a)		

24	Specific Design Experience in key activities (from Applicant or Specialist Sub Design Consultant) duly supported by Experience Certificate issued by Client / Engineer / Concessionaire / Contractor	Form EXP-4.3(b)		
25	Summary of claimed experience in respect of : a) General Construction Experience (4.1 of Section-III), b) Specific Construction Experience (4.2(a) of Section-III) c) Specific Construction Experience in Key Activities (4.2(b) of Section-III) d) General Design Experience and Specific Design Experience in Key Activities (4.3(a) & (b) of Section-III)	ITA-14.2 (PDS)		
26	Any Other Document			

Form ELI -1.1 Applicant Information Form

Date: *[insert day, month, year]*Reference ID No.: *[insert number, if any]*Page *[insert page number]* of *[insert total number]* pages

Applicant's legal name <i>[insert full legal name]</i>
In case of Joint Venture (JV), legal name of each partner: <i>[insert full legal name of each partner in JV]</i>
Applicant's actual or intended country of constitution: <i>[indicate country of Constitution]</i>
Applicant's actual or intended year of constitution: <i>[indicate year of Constitution]</i>
Applicant's legal address in country of constitution: <i>[insert street/ number/ town or city/ country]</i>
Applicant's authorized representative information Name: <i>[insert full legal name]</i> Address: <i>[insert street/ number/ town or city/ country]</i> Telephone/Fax numbers: <i>[insert telephone/fax numbers, including country and city codes]</i> E-mail address: <i>[indicate E-mail address]</i>
Attached are copies of original documents of <ul style="list-style-type: none"> <input type="checkbox"/> Articles of incorporation or documents of constitution, and documents of registration of the legal entity named above, in accordance with ITA 4.1 and 4.2. <input type="checkbox"/> In case of JV, letter of intent to form JV or JV agreement, in accordance with ITA 4.1 & 11.1 (d) (PDS) as per Form ELI-1.1.A.

Form ELI – 1.1A

Letter of Intent to Enter in to an Agreement

(To be signed by all the partners of joint venture or association)
(Reference Clause 4.1 (PDS) and 11.1 (d) (PDS)

Mr. Dhanesh Gupta, GGM / PWC
 Dedicated Freight Corridor Corporation of India Limited (DFCCIL)
 Room No. 505, 5th Floor, Pragati Maidan Metro Station Building,
 New Delhi – 110001, India

Subject : Pre-qualification for “Design and Construction of Civil, Building and Track works for Double Line Railway involving Formation in Embankment/ Cuttings, Bridges, Structures (excluding Civil works for Bridges over Railways and Water Main, and across Creek and Ulhas River and Formation in Embankment / Cutting and Structures in their Approaches on Both Sides), Buildings, Ballast on Formation, Track Works (including Track Works on Bridges over Railways and Water Main, and across Creek and Ulhas River and Formation in Embankment / Cutting and Structures in their Approaches on Both Sides)) including Testing and Commissioning on Design-Build Lump Sum Price Basis for JNPT – Vaitarana Section of Western Dedicated Freight Corridor – Phase-2” Project – **Civil, Building and Track Works: CT P-11.**

Dear Sir,

This is to inform you that:

1. We, the following entities
 - a) ----- (name and address of Lead Partner)
 - b) -----(name and address of Partner)
 - c) -----(name and address of Partner)
 - d) -----

hereby express our intention that we are forming a joint venture / association under the name of ----- (if any), to participate in the Pre- qualification process of the subject work.

2. We nominate ----- as Lead Partner of our joint venture / association.
3. We undertake that the Lead Partner of our joint venture/association ----- (Name of the lead partner) shall have the maximum financial stake amongst the other partners of the joint venture / association.
4. We undertake that total share of the Japanese partners in our joint venture / association shall be more than 50% of the total contract amount.
5. The percentage participation amongst various partners of the joint venture / association for the subject project shall be as under:

Sl. No.	Name of the Partner	Role (Lead Partner/ Partner)	% Participation #

It is not mandatory for the Applicants to indicate the % Participation during the Pre-qualification Stage. However it shall be mandatory during the Bidding Stage.

6. In accordance with Clause ITA 4.1 (b) (PDS) of Section I, we shall be jointly and severally liable to DFCCIL for the execution of the Contract in accordance with the Contract Terms
7. In accordance with Clause ITA 4.1 (c) (PDS) of Section I, We shall nominate the following person as our authorized signatory who shall have the authority to conduct the business for and on behalf of our joint venture / association during the prequalification process and , in the event of joint venture /association is prequalified, during the bidding process, and in the event the joint venture/association is awarded the Contract, during contract execution

(Detailed information about authorized signatory)

Name,	Designation,	Address,	Tel/Fax no	E Mail ID
-------	--------------	----------	------------	-----------

8. In case we are pre-qualified, we shall be entering in to a detailed Joint Venture / Association Agreement at the time of submission of our Bid

Authorised Signatory
(Lead Partner)

Authorised Signatory
(Partner)

Authorised Signatory
(Partner)

Authorised Signatory
(Partner)

Form ELI -1.2

Applicant Partner Information Form

[The following form shall be filled in for the Applicant's partners including partner(s) of a joint venture, subcontractors, suppliers and other partners]

Date: *[insert day, month, year]*

Reference ID No.: *[insert number, if any]*

Page *[insert page number]* of *[insert total number]* pages

JV Applicant legal name: <i>[insert full legal name]</i>
Applicant Partner's legal name: <i>[insert full legal name of Applicant partners]</i>
Applicant Partner's country of registration: <i>[indicate country of registration]</i>
Applicant Partner's year of constitution: <i>[indicate year of constitution]</i>
Applicant Partner's legal address in country of constitution: <i>[insert street/ number/ town or city/ country]</i>
Applicant Partner's authorized representative information Name: <i>[insert full legal name]</i> Address: <i>[insert street/ number/ town or city/ country]</i> Telephone/Fax numbers: <i>[insert telephone/fax numbers, including country and city codes]</i> E-mail address: <i>[indicate E-mail address]</i>
Attached are copies of original documents of <input type="checkbox"/> Articles of incorporation or documents of constitution, and registration documents of the legal entity named above, in accordance with ITA 4.1 and 4.2.

Form CON – 2 Historical Contract Non-Performance

[The following table shall be filled in for the Applicant and for each partner of a Joint Venture]

Date: *[insert day, month, year]*
 Applicant's Legal Name: *[insert full name]*
 Applicant's Party Legal Name: *[insert full name]*
 Reference ID No.: *[insert number, if any]*
 Page *[insert page number]* of *[insert total number]* pages

1. History of Non-Performing Contracts

Non-Performing Contracts			
<input type="checkbox"/> Contract non-performance# did not occur during the <i>[number]</i> years specified in Section III, Qualification Criteria and Requirements, Para 2.1.			
<input type="checkbox"/> Contract(s) not performed during the <i>[number]</i> years specified in Section III, Qualification Criteria and Requirements, Para 2.1			
Year	Non performed portion of contract	Contract Identification	Total Contract Amount (current value, US\$ equivalent)
<i>[insert year]</i>	<i>[insert amount and percentage]</i>	Contract Identification: <i>[indicate complete contract name, number, and any other identification]</i> Name of Employer: <i>[insert full name]</i> Address of Employer: <i>[insert street/city/country]</i> Reason(s) for non performance: <i>[indicate main reason(s)]</i>	<i>[insert amount]</i>

The Contract non-performance means that the Contractor has not reneged on his contractual obligations against any contract during the last 2 years.

2. Pending Litigation (Including Arbitration)

Pending Litigation (Including Arbitration)			
<input type="checkbox"/> No pending litigation (including arbitration) in accordance with Section III, Qualification Criteria and Requirements, Para 2.2.			
<input type="checkbox"/> Pending litigation (including arbitration) in accordance with Section III, Qualification Criteria and Requirements, Para 2.2 as indicated below.			
Year	Outcome as Percentage of Net Worth for the latest year	Contract Identification	Total Contract Amount (current value, US\$ equivalent)
<i>[insert year]</i>	<i>[insert percentage]</i>	Contract Identification: <i>[indicate complete contract name, number, and any other identification]</i> Name of Employer: <i>[insert full name]</i> Address of Employer: <i>[insert street/city/country]</i> Matter in dispute: <i>[indicate main issues in dispute]</i>	<i>[insert amount]</i>

Note:

The foreign exchange rate for conversion of any currency to JPY and subsequently to US\$ shall be TTS rate of the Bank of Tokyo Mitsubishi UFJ (BTMU) at the 28 days prior to final submission of PQ Application. The applicant shall also submit the documentary evidence in respect of the same.

Form FIN – 3.1 Financial Situation

[The following table shall be filled in for the Applicant and for each partner of a Joint Venture]

Date: *[insert day, month, year]*
 Applicant's Legal Name: *[insert full name]*
 Applicant's Party Legal Name: *[insert full name]*
 Reference ID No.: *[insert number, if any]*
 Page *[insert page number]* of *[insert total number]* pages

1. Financial data

Historic Information for Previous five (5) years, (US\$ Equivalent)				
Financial Year 1	Financial Year 2	Financial Year 3	Financial Year 4	Financial Year 5

Information from Audited Balance Sheet

Total Assets (TA)					
Total Liabilities (TL)					
Net Worth (NW)					
Current Assets (CA)					
Current Liabilities (CL)					

Information from Audited Income Statement

Total Revenue (TR)					
Profits Before Taxes (PBT)					
Profits After Taxes (PAT)					

Note:

1. The foreign exchange rate for conversion of any currency to JPY and subsequently to US\$ shall be TTS rate of the Bank of Tokyo Mitsubishi UFJ (BTMU) at the 28 days prior to final submission of PQ Application. The applicant shall also submit the documentary evidence in respect of the same.
2. The above Form Fin – 3.1 shall be certified by the Independent Public or Chartered Accountant.
3. The Applicant shall also attach the backup calculations in respect of each of the above figures duly referenced to the figures of Audited Financial Statements/Balance Sheets and certified by Independent Public or Chartered Accountant.

2. Financial documents

The Applicant and its partners shall provide copies of the balance sheets and/or financial statements for *[number]* years pursuant to Section III, Qualifications Criteria and Requirements, Para 3.1. The financial statements shall:

- (a) reflect the financial situation of the Applicant or partner to a JV, and not sister or parent companies.
 - (b) be audited by a certified accountant.
 - (c) be complete, including all notes to the financial statements.
 - (d) correspond to accounting periods already completed and audited (no statements for partial periods shall be requested or accepted).
- Attached are copies of financial statements (balance sheets including all related notes, and income statements) for the five (5) financial years, as indicated above, and complying with the requirements.

Form FIN - 3.2

Average Annual Construction Turnover

[The following table shall be filled in for the Applicant and for each partner of a Joint Venture]

Date: *[insert day, month, year]*

Applicant's Legal Name: *[insert full name]*

Applicant's Party Legal Name: *[insert full name]*

Reference ID No.: *[insert number, if any]*

Page *[insert page number]* of *[insert total number]* pages

Annual Turnover Data (Construction only)			
Financial Year	Amount and Currency	Exchange Rate	US\$ Equivalent
Year 1	<i>[insert amount and indicate currency]</i>	<i>[insert applicable exchange rate]</i>	<i>[insert amount in US\$ equiv.]</i>
Year 2			
Year 3			
Year 4			
Year 5			
Average Annual Construction Turnover *			

* Average Annual Construction Turnover calculated as total certified payments received for work in progress or completed, divided by the number of years specified in Section III, Qualification Criteria and Requirements, Para 3.2.

Note:

1. The foreign exchange rate for conversion of any currency to JPY and subsequently to US\$ shall be TTS rate of the Bank of Tokyo Mitsubishi UFJ (BTMU) at the 28 days prior to final submission of PQ Application. The applicant shall also submit the documentary evidence in respect of the same.
2. The above Form Fin – 3.2 shall be certified by the Independent Public or Chartered Accountant.
3. The Applicant shall also attach the backup calculations in respect of each of the above figures duly referenced to the figures of Audited Financial Statements/Balance Sheets and certified by Independent Public or Chartered Accountant.

Form EXP - 4.1 General Construction Experience

[The following table shall be filled in for the Applicant and for each partner of a Joint Venture]

Date: *[insert day, month, year]*
 Applicant's Legal Name: *[insert full name]*
 Applicant's Party Legal Name: *[insert full name]*
 Reference ID No.: *[insert number, if any]*
 Page *[insert page number]* of *[insert total number]* pages

[Identify contracts that demonstrate continuous construction work over the past [number] years pursuant to Section III, Qualification Criteria and Requirements, Para 4.1. List contracts chronologically, according to their commencement (starting) dates.]

General Construction Experience			
Starting Month / Year	Ending Month / Year	Contract Identification	Role of Applicant
<i>[indicate month/year]</i>	<i>[indicate month/year]</i>	Contract name: <i>[insert full name]</i> Brief description of the Works performed by the Applicant: <i>[describe Works performed briefly]</i> Name of Employer: <i>[indicate full name]</i> Address: <i>[indicate street/number/town or city/country]</i>	<i>[insert "Contractor" or "Subcontractor" or "Management Contractor"]</i>

Form EXP - 4.2(a) Specific Construction Experience

[The following table shall be filled in for contracts performed by the Applicant, each partner of a Joint Venture.]

Date: [insert day, month, year]

Applicant's Legal Name: [insert full name]

Applicant's Party Legal Name: [insert full name]

Reference ID No.: [insert number, if any]

Page [insert page number] of [insert total number] pages

Fill up one (1) form per contract.

Contract of Similar Size and Nature	
Similar Contract No. <i>[insert number] of [insert number of similar contracts required]</i>	Information
Contract Identification	<i>[insert contract name and Reference ID number, if applicable]</i>
Award Date	<i>[insert day, month, year]</i>
Completion Date	<i>[insert day, month, year]</i>
Role in Contract	Prime Contractor , Contractor as JV Partner
Total Contract Amount	<i>[insert total contract amount in US\$]</i>
If partner in a JV, specify participation in total contract amount	<i>[insert a percentage amount] [insert total contract amount in US\$]</i>
Employer's Name:	<i>[insert full name]</i>
Address:	<i>[indicate street / number / town or city / country]</i>
Telephone/Fax Number:	<i>[insert telephone/fax numbers, including country and city area codes]</i>
E-mail:	<i>[insert E-mail address, if available]</i>

Form EXP - 4.2(a) (cont.) Specific Construction Experience (cont.)

Similar Contract No. <i>[insert number] of [insert number of similar contracts required]</i>	Information
Description of the similarity in accordance with Para 4.2(a) of Section III:	
1. Amount	<i>[insert amount in US\$]</i>
2. Physical Size	<i>[insert physical size of activities]</i>
3. Complexity	<i>[insert description of complexity]</i>
4. Methods/Technology	<i>[insert specific aspects of the methods/ technology involved in the contract]</i>
5. Other Characteristics	<i>[insert other characteristics as described in Section VI, Scope of Works]</i>

Note:

The foreign exchange rate for conversion of any currency to JPY and subsequently to US\$ shall be TTS rate of the Bank of Tokyo Mitsubishi UFJ (BTMU) at the 28 days prior to final submission of PQ Application. The applicant shall also submit the documentary evidence in respect of the same.

Form EXP - 4.2(b)

Specific Construction Experience in Key Activities

Date: *[insert day, month, year]*Applicant's Legal Name: *[insert full name]*Applicant's Party Legal Name: *[insert full name]*Subcontractor's Legal Name (as per ITA 23.1) *[insert full name]*Reference ID No.: *[insert number, if any]*Page *[insert page number]* of *[insert total number]* pages**Fill up one (1) form per contract.**

1. Key Activity No. (1) _____: *[insert brief description of the Activity, emphasizing its specificity]*

Contract with Similar Key Activities			
Item	Information		
Contract Identification	<i>[insert contract name and number, if applicable]</i>		
Award Date	<i>[insert day, month, year]</i>		
Completion Date	<i>[insert day, month, year]</i>		
Role in Contract <i>[check the appropriate box]</i>	Prime Contractor <input type="checkbox"/>	Management Contractor <input type="checkbox"/>	Subcontractor <input type="checkbox"/>
Total Contract Amount	<i>[insert total contract amount in US\$]</i>		
If partner in a JV or subcontractor, specify participation of total contract amount	<i>[insert a percentage amount] #</i>	<i>[insert total contract amount in US\$]</i>	
Employer's Name:	<i>[insert full name]</i>		
Address:	<i>[indicate street / number / town or city / country]</i>		
Telephone/Fax Number:	<i>[insert telephone/fax numbers, including country and city area codes]</i>		
E-mail:	<i>[insert E-mail address, if available]</i>		

*The Applicant shall submit the documentary evidence regarding its Percentage of participation in the JV for the claimed project towards Specific Construction Experience.*

2. Key Activity No. (2) _____ 5. Key Activity No. (5)

3. Key Activity No. (3) _____ 6. Key Activity No. (6)

4. Key Activity No. (4) _____

Form EXP - 4.2(b) (cont.)

Specific Construction Experience in Key Activities

	Description of the Key activities in accordance with Para 4.2(b) of Section III:	[insert response to inquiry indicated in left column]
1	Maximum volume of earthfill in Formation including Blanketing in cubic meter in any one year (<u>Calendar Year or Financial Year</u>) during last 10 years a) Year b) Earthwork	
2	Maximum volume of hard rock cutting in cubic meter in any one year (<u>Calendar Year or Financial Year</u>) during last 10 years a) Year b) Hard rock cutting	
3	Maximum Tunneling Work (not less than 6m dia.) in any one year (<u>Calendar Year or Financial Year</u>) in last 10 years. a) Year b) Tunneling Work	
4	Maximum Concreting in Bridges / Flyovers / Culverts in cubic meter in any one year (<u>Calendar Year or Financial Year</u>) during last 10 years. a) Year b) Concreting	
5	Maximum Building Work in any one year (<u>Calendar Year or Financial Year</u>) in last 10 years. a) Year b) Building Work	
6	Maximum Mechanised Track Laying Work in any one year (<u>Calendar Year or Financial Year</u>) in last 10 years. a) Year b) Mechanised Track Laying Work	

Form EXP - 4.3(a)

General Design Experience

[The following table shall be filled in for contracts performed by the Applicant, each partner of a Joint Venture, and specialist subcontractors.]

Date: *[insert day, month, year]*

Applicant's Legal Name: *[insert full name]*

Applicant's Party Legal Name: *[insert full name]*

Reference ID No.: *[insert number, if any]*

Page *[insert page number]* of *[insert total number]* pages

Fill up one (1) form per contract.

Contract of Similar Size and Nature				
Similar Contract No. <i>[insert number] of [insert number of similar contracts required]</i>	Information			
Contract Identification	<i>[insert contract name and Reference ID number, if applicable]</i>			
Award Date	<i>[insert day, month, year]</i>			
Completion Date	<i>[insert day, month, year]</i>			
Role in Contract	Prime Contractor, Contractor as JV Partner, Design Consultant, Sub Design Consultant			
Total Contract Amount	<i>[insert total contract amount in US\$]</i>			
If partner in a JV or subcontractor, specify participation in total contract amount	<table style="width: 100%; border: none;"> <tr> <td style="width: 40%; border: none;"><i>[insert percentage amount]</i></td> <td style="width: 10%; border: none; text-align: center;">a</td> <td style="width: 50%; border: none;"><i>[insert total contract amount in US\$]</i></td> </tr> </table>	<i>[insert percentage amount]</i>	a	<i>[insert total contract amount in US\$]</i>
<i>[insert percentage amount]</i>	a	<i>[insert total contract amount in US\$]</i>		
Employer's Name:	<i>[insert full name]</i>			
Address:	<i>[indicate street / number / town or city / country]</i>			
Telephone/Fax Number:	<i>[insert telephone/fax numbers, including country and city area codes]</i>			
E-mail:	<i>[insert E-mail address, if available]</i>			

Form EXP - 4.3(a) (cont.) General Design Experience (cont.)

Similar Contract No. <i>[insert number] of [insert number of similar contracts required]</i>	Information
Description of the similarity in accordance with Para 4.3(a) of Section III:	
1. Amount	<i>[insert amount in US\$]</i>
2. Physical Size	<i>[insert physical size of activities]</i>
3. Complexity	<i>[insert description of complexity]</i>
4. Methods/Technology	<i>[insert specific aspects of the methods/ technology involved in the contract]</i>
5. Other Characteristics	<i>[insert other characteristics as described in Section VI, Scope of Works]</i>

Note:

The foreign exchange rate for conversion of any currency to JPY and subsequently to US\$ shall be TTS rate of the Bank of Tokyo Mitsubishi UFJ (BTMU) at the 28 days prior to final submission of PQ Application. The applicant shall also submit the documentary evidence in respect of the same.

Form EXP - 4.3(b)

Specific Design Experience in Key Activities

Date: *[insert day, month, year]*

Applicant's Legal Name: *[insert full name]*

Applicant's Party Legal Name: *[insert full name]*

Subcontractor's Legal Name (as per ITA 23.1) *[insert full name]*

Reference ID No.: *[insert number, if any]*

Page *[insert page number]* of *[insert total number]* pages

Fill up one (1) form per contract.

1. Key Activity No. (1) _____: *[insert brief description of the Activity, emphasizing its specificity]*

Contract with Similar Key Activities			
Item	Information		
Contract Identification	<i>[insert contract name and number, if applicable]</i>		
Award Date	<i>[insert day, month, year]</i>		
Completion Date	<i>[insert day, month, year]</i>		
Role in Contract <i>[check the appropriate box]</i>	Prime Contractor <input type="checkbox"/>	JV Partner <input type="checkbox"/>	Subcontractor <input type="checkbox"/>
Total Contract Amount	<i>[insert total contract amount in US\$]</i>		
If partner in a JV or subcontractor, specify participation of total contract amount	<i>[insert a percentage amount]</i>	<i>[insert total contract amount in US\$]</i>	
Employer's Name:	<i>[insert full name]</i>		
Address:	<i>[indicate street / number / town or city / country]</i>		
Telephone/Fax Number:	<i>[insert telephone/fax numbers, including country and city area codes]</i>		
E-mail:	<i>[insert E-mail address, if available]</i>		

2. Key Activity No. (2) _____

3. Key Activity No. (3) _____

4. Key Activity No. (4) _____

Form EXP - 4.3(b) (cont.) Specific Design Experience in Key Activities

Information (In respect of each of the claimed experience):

	Description of the key activities in accordance with Para 4.3(b) of Section III:	[insert response to inquiry indicated in left column]
1	a) Adequate design capability for design of Railway / Highway Alignment, Embankment – Software availability or access to and experience of using it for Alignment/Embankment design. b) Description of design work for design of Railway/ Highway Alignment, Embankment carried out in last 10 years c) Nature of the Project for which design was carried out comparable to the present project i.e. physical size, complexity and method forms	
2	a) Adequate design capability for design of Bridges / Flyovers / ROBs / RUBs - Availability of required software for design or access to it and experience of using it. b) Description of design work carried out for Bridges / Flyovers / ROBs / RUBs during last 10 years. c) Number of Bridges / Flyovers / ROBs / RUBs designed <ol style="list-style-type: none"> i. Year ii. No. of Bridges / Flyovers / ROBs / RUBs designed along with length of the structure, no. of Spans and Span length d) Nature of the Project for which design was carried out comparable to the present project i.e. physical size, complexity and method forms	
3	a) Adequate design capability for design of Tunnel – Availability of required software for design or access to it and experience of using it. b) Description of design work carried out for Tunneling during last 10 years, including the length and the excavation area of the tunnel c) Nature of the Project for which design was carried out comparable to the present project i.e. physical size, complexity and method forms	

Section V. List of Eligible Countries of Japanese ODA Loans

Eligibility for the Provision of Goods, Works and Services in JICA-Financed Procurement

- (1) The Eligible Nationality of the Supplier(s)/ Applicant and all partners constituting the Applicant shall be the following:
 - (a) Japan in the case of the prime contractor; and
 - (b) All countries and areas in the case of the sub-contractor(s).
- (2) With regard to (1) above, in case where the prime contractor is a joint venture, such joint venture will be eligible provided that the nationality of the lead partner is Japan, that the nationality of the other partners is Japan and/or India and that the total share of work of Japanese partners in the joint venture is more than fifty percent (50%) of the contract amount.
- (3) With regard to (1) and (2) mentioned above,
 - (a) For goods and services, (i) the prime contractor or, in the case of a joint venture, the lead partner and other partners regarded as the Japanese partners shall be nationals of Japan or juridical persons incorporated and registered in Japan, and which have their appropriate facilities for producing or providing the goods and services in Japan and actually conduct their business there; and (ii) in the case of a joint venture, the partners except Japanese partners shall be nationals of India or juridical persons incorporated and registered in Japan or India, and which have their appropriate facilities for producing or providing the goods and services in Japan or India and actually conduct their business there.
- (4) Procurement of the following components from Japan is mandatory under this Package;
 - Head Hardened Rails for the entire stretch of Main Line and Points & Crossings
- (5) With regard to the goods procured from the eligible local manufacturing company(ies) (hereinafter referred to as “the Eligible Local Manufacturing Company(ies)”) invested by Japanese companies can be regarded and counted as Japanese origin if such Eligible Local Manufacturing Company(ies) satisfy(ies) the following conditions:
 - (i) Juridical persons incorporated and registered in India, and which have their appropriate facilities for producing or providing the goods and services in India and actually conduct their business there;
 - (ii) Not less than 10 % of shares are held by a single Japanese Company; and
 - (iii) The proportion of the shares held by the Japanese company mentioned in (ii) above (or the company having the largest share among Japanese companies if more than one Japanese company meet the condition stated in (ii) above) is the same as or greater than that of the shares held by any company of a third country.
- (6) With regard to the goods procured from the eligible development partners’ manufacturing company(ies) (hereinafter referred to as “the Eligible Development Partners’ Manufacturing

Company(ies)”) invested by Japanese companies can be regarded and counted as Japanese origin if such Eligible Development Partners’ Manufacturing Company(ies) satisfy(ies) the following conditions:

- (i) Juridical persons incorporated and registered in a country or area on DAC List of ODA Recipients effective at the time of conclusion of the Loan Agreement and which have their appropriate facilities for producing or providing the goods and services in the country or area and actually conduct their business there;
- (ii) Not less than one-third of shares are held by a single Japanese Company; and
- (iii) The proportion of the shares held by the Japanese company mentioned in (ii) above (or the company having the largest share among Japanese companies if more than one Japanese company meet the condition stated in (ii) above) is the same as or greater than that of the shares held by any company of a third country.

PART 2 – Works Requirements

Section VI. Scope of Works

Contents

1. Description of the Works	69
2. Construction Period.....	81
3. Site and Other Data.....	82

1. Description of the Works

Project Background

With an objective to augment the freight transport capacity and to support the rapid economic growth along the “Golden Quadrilateral” in India linking major urban centers of Mumbai, Delhi, Kolkata and Chennai, the Government of India (hereinafter referred to as “GOI”) has received an ODA (Official Development Assistance) Loan from the Government of Japan (hereinafter referred to as “GOJ”) for the development of the Dedicated Freight Corridor Project (Western Corridor).

In July 2005, GOI officially requested GOJ for the execution of Japan’s technical cooperation to assess the Feasibility Study on the development of Dedicated Freight Corridors for Delhi-Mumbai (Western Corridor) and Ludhiana - Sonnagar (Eastern Corridor) in India (hereinafter referred to as “JICA F/S”). The objective of JICA F/S was to review the Preliminary Engineering cum Traffic Study (hereinafter referred to as PETS) and Final Location Survey (hereinafter referred to as FLS) of DFC that was prepared by the GOI.

Subsequent to the JICA F/S Study completed in 2007, the GOI approached the GOJ for an ODA Loan under Special Terms for Economic Partnership (hereinafter referred to as “STEP”) Scheme. In response, the GOJ, through JICA, extended loan assistance to the GOI by concluding Loan Agreements in October 2009 and March 2010 for engagement of Engineering Service consultants and for implementation of the Phase-1 Project (Western DFC between Rewari & Vadodara), respectively.

Similarly, the GOJ extended loan assistance to the GOI by concluding Loan Agreements in April 2010 and March 2013 for engagement of Engineering Service Consultants and for implementation of the Phase-2 Project (Western DFC from JNPT to Vadodara (422 Km) and from Rewari to Dadri(125 Km)) respectively.

The present Pre-qualification for the stretch between JNPT and Vaitarana of length 102 Km is a part of Phase -2 between JNPT to Vadodara (422 Km). Further information related to the Project and DFCCIL is available at their WEB home page (<http://dfccil.org>).

In order to meet over all 30% STEP obligation under the Loan Agreement, MOR has considered utilization of Japanese Head Hardened Rails for the entire stretch of Main Line and Points & Crossings as mandatory.

1.0 General

1.1 The Dedicated Freight Corridor (DFC) Project

- 1.1.1 Ministry of Railways (MOR), Government of India has planned to construct a High Axle Load Dedicated Freight Corridor (DFC) covering about 3,330 route kilometers on Eastern and Western Corridors. The coverage of Eastern Corridor is from Ludhiana to Dankuni and Western Corridor is planned from Jawaharlal Nehru Port (JNPT), Mumbai to Rewari/Dadri near Delhi. There will be a linkage between two corridors at Khurja.
- 1.1.2 The project entails construction of mostly double-track electrified railway lines. The bridges and other structures will be designed to allow movement of 32.5 tonne axle load while the track structure will be designed for 25 tonne axle load operating at train speed of up to 100 Kmph. The Eastern Corridor will handle single stack containers whereas Western Corridor

is planned to cater to double stack containers. Up gradation of transportation technology, increase in productivity and reduction in unit transportation costs have been taken as guiding principles for formulating the project. Various operating systems, motive powers, signaling and work processes are required to conform to these broad perspectives.

2.0 Western Dedicated Freight Corridor Alignment

2.1 Western DFC Route will be approximately 1,500 km long from Jawaharlal Nehru Port, Mumbai to Rewari/Tughlakabad/Dadri near Delhi via Vasai-Surat-Vadodara-Ahmedabad-Palanpur-Ajmer-Rewari. Proposed alignment of WDFC has been generally kept parallel to existing Indian Railway line except provision of detours at Mumbai, Surat, Vadodara, Phulera and Rewari-Dadri.

2.2 The Western Dedicated Freight Corridor (WDFC) alignment passes through five states viz. Maharashtra, Gujarat, Rajasthan, Haryana and Uttar Pradesh. It traverses Thane district in Maharashtra State, Valsad, Navsari, Surat, Bharuch, Vadodara, Anand, Ahmedabad, Gandhinagar, Mehsana, Patan and Palanpur districts in Gujarat, Sirohi, Pali, Ajmer, Jaipur, Sikar, Jhunjhunu and Churu districts in Rajasthan, Mehendragarh and Rewari districts in Haryana, Alwar district in Rajasthan again, and Mewat and Faridabad districts in Haryana, and Gautambudh Nagar districts in Uttar Pradesh.

3.0 Dedicated Freight Corridor Corporation of India Limited

3.1 Dedicated Freight Corridor Corporation of India Ltd. (DFCCIL), a public sector company has been set up under the Indian Companies Act 1956 for implementation of Dedicated Freight Corridor Project. Government of India is the sole shareholder of the DFCCIL.

4.0 Funding for the Project

4.1 The entire 1,500 km of Western Dedicated Freight Corridor (WDFC) from Mumbai to Dadri is being financed by the Japan International Cooperation Agency (JICA). The route alignment of WDFC indicating the corridor length being funded by JICA is attached as Annexure 2. The present stretch between JNPT and Vaitarana of length 102 km is a part of Phase-2 between JNPT to Vadodara (422 Km).

5.0 Project Phasing

5.1 The implementation of WDFC in the JICA funded portion of the project is planned in a phased manner. In the first phase, 922 km long stretch between Vadodara and Rewari Section shall be constructed (Phase-1). The balance stretch of 422 km from JNPT to Vadodara and 125 km from Rewari to Dadri will be constructed in the second phase (Phase-2). The Southern Stretch of Phase-2 between JNPT and Vadodara (422 Km) is covered under Package 11, Package 12 and Package 13 and the Northern Stretch of Phase-2 between Rewari and Dadri (125 km) is covered under Package 14.

The present Pre-qualification is planned for a stretch of 102 Km between JNPT and Vaitarana under Package 11 (CT P-11) out of total 422 Km in the Southern Stretch of Phase-2.

5.2 The Scope of Work for Package 11 shall exclude the Design & Construction of 4 no. of Special Steel Bridges over Railways and Water Main and across Creek and Ulhas River along with their approaches of 200m/100m length from abutments on both sides of the bridges. The pre-qualification process for Design and Construction of these bridges has been arranged under separate Package 15A by DFCCIL. However, the necessary track

works for these 4 no. of bridges belonging to Special Steel Bridge Package 15A have been included in the Scope of Work for Package 11.

Scope of Package 11 works also includes the construction of 02 no. of RFOs (forming part of viaducts) as Steel Bridges out of total 03 no. of RFOs.

Project Information of Phase-2: JNPT - Vadodara and Rewari – Dadri Section

6. Contract Strategy – Phase-2

6.1 Implementation of Phase-2 of WDFC consists of total 09 (nine) Design & Build Contract Packages which are described as below:-

Package No.	Contract Packages	Selection Method
11	Civil, Building and Track Works (JNPT – Vaitarana)	Japan-tied (STEP)
12	Civil, Building and Track Works (Vaitarana – Sachin)	Japan-tied (STEP)
13	Civil, Building and Track Works (Sachin – Vadodara)	Japan-tied (STEP)
14	Integrated Package for Civil, E&M, S&T Works (Rewari – Dadri)	Japan-tied (STEP)
15A	Special Steel Bridges in JNPT – Vadodara Section	Japan-tied (STEP)
15B	Special Steel Bridge across Narmada River	Japan-tied (STEP)
15C	Special Steel Bridges in Rewari – Dadri Section	Japan-tied (STEP)
16	Electrical & Mechanical (E&M) Works (JNPT – Vadodara)	Japan-tied (STEP)
17	Signal and Telecommunication (S&T) Works (JNPT – Vadodara)	Japan-tied (STEP)

Packages of PE P-6 (Plant & Equipment Works) and RS P-7(Electrical Locomotives and Maintenance Depot) are to be executed under Phase-1.

6.2 The current pre-qualification exercise is to identify suitable Bidders for the Civil, Building and Track Works Contract designated as Package 11.

6.3 The pre-qualification process for two (2) Civil, Building and Track Works Package 12 and 13 and for three (3) Special Steel Bridge Packages 15A, 15B and 15C has already been completed by DFCCIL and bids have been issued. The pre-qualification process for other one (1) Package 14 has been issued by DFCCIL as an integrated package of Civil & Track/E&M/S&T Works. The pre-qualification process for the Systems Contracts Package 16 and Package 17 are being initiated by DFCCIL shortly.

7.0 Pre-qualification of Bidders – Phase-2

7.1 This Prequalification Document is issued for Civil, Building and Track Works Contract designated as “Contract Package 11” for “Design and Construction of Civil, Building and Track works for Double Line Railway involving Formation in Embankment/Cuttings, Bridges, Structures (excluding Civil Works for Bridges over Railways and Water Main, and across Creek and Ulhas River and Formation in Embankment / Cutting and Structures in their Approaches on Both Sides), Buildings, Ballast on Formation, Track works (including Track

Works on Bridges over Railways and Water Main, and across Creek and Ulhas River and Formation in Embankment / Cutting and Structures in their Approaches on Both Sides), including testing and commissioning on Design-Build Lump Sum Basis for JNPT - Vaitarana Section of Western Dedicated Freight Corridor (Phase-2)”

8.0 Alignment of JNPT - Vaitarana Section

8.1 The stretch for Package 11 (JNPT – Vaitarana) is basically located along JNPT - Vaitarana Section of IR Central and Western Railways. Detours have been planned at Kundevahal (1.5km), at Dativali (4.04km) and at Vasai (16.8km). About 78% of the proposed DFC alignment between JNPT and Vaitarana is passing parallel to the existing IR Central and Western Railways and the remaining 22% of the alignment is passing through detours.

9.0 Scope of Works of Phase 2

9.1 General

- (1) The second phase of the Western section of the Dedicated Freight Corridor, from JNPT to Vadodara and from Rewari to Dadri for a length of 547 km is to be constructed as double line electrified track with 2 x 25 kV AC, 50 Hz, overhead catenary system, capable of operating at a maximum train speed of 100km/h with an initial axle load of 25.0 tonnes. Formation and bridge structure are to be provided for 32.5 tonnes axle load and track structure for 25 tonnes axle load.
- (2) The total length of the line between JNPT and Vadodara is approximately 422km, while the total length of the line between Rewari and Dadri is approximately 125 km.
- (3) The total length of the line for Package 11 between JNPT and Vaitarana is approximately 102 Km.
- (4) Construction of 4 nos. of Special Steel Bridges (as mentioned in the table below) located within the route of Package 11 including their approaches of 200m/100m length from abutments on both side of the bridges, has been planned to be taken up under separate Contract namely Package 15A as ‘Open Web Welded Through Truss Bridges’ and is excluded from the Scope of Work of Package 11. However, the necessary track works for these 4 nos. of Special Steel Bridges and their approaches have been included in the Scope of Work for Package 11.

Special Steel Bridge Contract Package No.	S. No.	Bridge No.	DFC Chainage (Km)	Bridge across/ over :-	Approx. Bridge Length (m)	Location (Near)	Length of Approaches (m)	Remark
15A	1	RFO-6	50,661.83	Indian Railways	64.15	Kopar	100	1 Minor Bridge in Approaches
	2	122	53,994.19	Ulhas River	479.88	Dombiveli	200	1 Major Bridge (RCC Box) in Approaches
	3	126	57,953.37	Water Main	97.00	Bhiwandi	100	
	4	135	64,704.65	Creek	145.50	Kharbao	100	
	Total (m)					786.53		

Out of the scope of 3 no. of RFOs in Package 11, following 2 no. of RFOs which form part of viaducts shall be constructed as 'Open Web Welded Through Truss Steel Bridges' by Package 11 contractor,

Package No.	S. No.	Bridge No.	DFC Chainage (Km)	Bridge across/ over :-	Span	Approx. Bridge Length (m)	Location (Near)
11	1	RFO-1	28600.00	Indian Railways	2 x 76.2m	159.96	Panvel/ Kalamoli
	2	RFO-4	1910.022 (DFC Connecting Line Chainage)	Indian Railways	1 x 76.2m	79.98	Kharbao
	Total (m)					239.94	

(5) The Contractor shall undertake the Design, Construction, Manufacture, Supply, Installation, Testing and Commissioning of the Civil Structures, Buildings and Track Works including and without limitation, the Design, Construction and removal of any Temporary Works.

(6) It is estimated that around 2 million cum of Hard Rock cutting is involved for formation and the cut spoils may be utilized by the Contractor for aggregate/track ballast/protection works etc.

(7) In addition, the Contractor shall undertake the rectification of defects appearing in the Permanent Works in the manner and to the standards within the time stipulated by the Contract.

- (8) In full recognition of these objectives and with full acceptance of the obligations, the Contractor shall execute the Works taking into account all liabilities in accordance with the Contract.
- (9) The system design and its installation is to be carried out through other Contracts which includes electrification of the line, new signaling and control systems, new telecommunication system and SCADA control system and procurement of electric locomotives and construction of depot.
- (10) The design of all the works will be operationally compatible with the other Indian Railways (IR) sections connecting to the DFC.
- (11) The Employer may decide to take over the constructed sections from the Contractor in a phased manner as per the Contract.
- (12) The Civil, Building and Track Works Contractor shall undertake interface coordination with the other Contractors, who shall be carrying out works forming part of this Project. There will be a continuous requirement of coordination between the two in respect of Design of Cable Trenching, Masts for Overhead Electrification, interlocking of Points and Crossings, Construction of facilities for Maintenance, other Allied Structures and subsequently during the installation of Signaling and Traction Power Systems and trial operation of Locomotives.
- (13) Scope of work as included in this document is indicative. Detailed scope of work will be included in the Bid documents to be issued to pre-qualified bidders.

9.2 Permanent Works

The permanent works shall comprise of but not limited to the Design, Construction, Manufacture, Supply, Installation, Testing and Commissioning of:

- a) Track substructure including drainage, embankments, cuttings, rock cuttings, blanketing, ballast, bridges (major/minor), underpasses, overpasses, etc.;
- b) Track superstructure including but not limited to setting out, benchmarking, rail and sleepers with fastenings, rail slab where necessary, turnouts, buffer stops, expansion joints, track signage, level crossing, road signage, etc.;
- c) Tunnel Construction including drainage arrangements
- d) Road overpasses and underpasses including approach ramps, substructures, surfacing, drainage facilities, guardrails and lighting in urban areas;
- e) Road connections for the roads affected by the railway line and relevant facilities;
- f) Remodeling of Level Crossing Gates and duty hut of Existing Indian Railways Network located on DFCC alignment (wherever required);
- g) Platforms including drainage, fencing, pavement, etc.;
- h) Junction Stations and Crossing Stations with buildings and yard complexes including approach roads, drainage, sewerage, craneage, and safety equipment;
- i) On-duty points for maintenance staff including buildings, drainage, sewerage, offices, stores, heating, craneage, lighting, E&M services and car parking, office equipment and furniture as kitchenware, bathrooms, beds etc., installation and safety equipment;
- j) Permanent Diversion of Roads and Other Charted Utilities;
- k) Sign boards;
- l) Relocation of Electric Lines of 33 kV or less within the ROW; and
- m) Any other activity connected with the construction and commissioning of railways.

10.0 Salient Engineering Features/Performance Specifications

The indicative engineering features/performance specifications of the works are as given under:-

Project Features (Phase-2)

No.	Description	Details of Western Corridor (JNPT - Vaitarana Section)
	Alignment	
		JNPT - Vaitarana
1	Route length	
	- Total Length	102 km
2	Gradient	
	- Ruling gradient (compensated)	1 in 200 (5/1000)
	- Steepest gradient in yards	1 in 1200 (0.83/1000) 1 in 400 (2.5/1000) exceptional case with specific approval of Employer
3	Standards of construction	
	- Gauge	1,676 mm
	- Rails	a) Head Hardened Rails (60 kg/m) (procured from Japan) for the entire stretch of Main Line and Points and Crossings b) For rest of the locations – 60kg/m UIC/90 UTS rail
	- Sleepers for ballasted track	PSC 1660 nos./km density for main line, 1,540 nos./km density for loop line & sidings
	- Points & crossings	Head Hardened 60 kg rails, 1 in 12 with thick-web curved switches and CMS crossings on PSC sleepers suitable to pass through LWR in Yards Minor loop lines and non-running lines, 1 in 8 1/2 turnout
	- Ballast for ballasted track	350 mm cushion
	- Maximum train speed	100 km/h
	- Type of traffic and axle load	Double stack container movement with 25 tonne axle load
4	Formation (Detour Route)	
	- Bank width for double line	13.5 m
	- Slope of embankment	2H: 1V
	- Cutting width for double line	15.9 m (12.9 m+1.5 m extra for each side for side drains)
	- Slope of cutting	1:1
	- Blanketing	As per Guidelines and Specifications for Design of Formation for Heavy Axle Load - Report No. RDSO/2007/GE:014
5	Curves	
	- Maximum degree of curvature	2.5 degree curve (700 m radius)
	- Curve compensation	At the rate of 0.04 % per degree of curvature
6	Moving dimensions	
	- Vertical MMD	7.1 m for DSC
7	Vertical SOD	
		8.43/8.05 m for DSC
8	Track Centers	
	Between two tracks of DFC	6.0 m
	Between existing track and DFC	7.0 m (normal) 6.0 m (exceptional)
9	Bridges	
	- Standard of loading	32.5 tonne axle load, 12.13 tonne/m trailing load
	- Total nos. of Important	Nil

No.	Description	Details of Western Corridor (JNPT - Vaitarana Section)
	bridges	
	- Total nos. of Viaducts	03 nos.[total length 5384m, Double Line 4021m & Single line 1363m]
	- Total nos. of Major Bridges	22 nos. (total length 819m)
	- Total nos. of Minor Bridges	173 nos. (total length 609m)
	- Total nos. of Pedestrian Subways	01 No.
	Road Crossings	
	- Total nos. of Railway Crossing	09 nos.
10	- Total nos. of Road Over Bridges (ROB)	17 nos.
	- Total nos. of Road Under Bridges (RUB)	28 nos.
	Railway Flyover (RFO)	
11	- Total Nos. of RFO	03 nos. out of which 02 nos. forming part of viaducts, to be constructed as open web welded through steel truss bridges
	Stations	
12	- Crossing Stations Double line	01 Station
	- Junction Stations	02 Stations
	- Terminal Stations	Nil
	Tunnel	
13	- Number of tunnels	2 nos. of tunnels (total length 700m)
	Detour Route	
14	- Total length of Detour Route	22.34 km
	Signalling System	
15	- Type of Signalling	Automatic Signalling with TPWS
	- Section length on double line	2 km between Stations
	Train Traction System	
16	- Type of Train	Electric
	- Electrification system	25 kV AC
	- Type of feeding system	AT feeding system (25kVx2)
	Train operation	
	- Operation Type	One manned operation without brake van
	- Maximum speed	100 km/h
17	- Traffic capacity Double line	140 nos. per day direction (4 hours maintenance block)
	Single line	25 nos. per day direction (4 hours maintenance block)
	- CSR	2 x 750 m

Major Structural Features of Package 11 with approximate details at present are tabulated below:-

Structure	Package -11: 102 Km (JNPT - Vaitarana)
1. Civil Works	
- Cutting in Soil	1.97 x10 ⁶ cum
- Cutting in Hard Rock	1.98 x10 ⁶ cum
- Embankment	5.82 x10 ⁶ cum
- Blanket	0.89 x10 ⁶ cum
- Subgrade	1.16 x10 ⁶ cum
- Important Bridge	-
- Viaduct	3 nos. [total length 5,384m (Double line 4,021m, Single line 1,363m)]
- Major Bridge	22 nos. (total length 819m)
- Rail Flyover	3 nos. (2 nos. forming part of viaducts, will be constructed as open web welded through truss steel bridges with total length 239.94m)
- Minor Bridge	173 nos. (total length 609m)
- ROB* ¹	17 nos.
- RUB* ²	28 nos.
- Pedestrian Subway	01 No.
- Tunnel	2 nos. (total length 700m)
- Railway crossing	09 nos.
2. Building Works	(Approximate Area 7500 sqm)
- Junction Station (JS)	2 locations (Approximate Area 6000 sqm)
- Crossing Station (CS)	1 location (Approximate Area 1500 sqm)
- Maintenance Depot, MMU, Sub-Depots etc.	At Junction and Crossing Stations as per the requirement
- Quarters & Offices	At Junction and Crossing Stations (Approximate Area 3000 sqm)
3. Track Works	
- Ballast	0.63 x10 ⁶ cum
- Route Km	102 Km

Notes: *¹: Road-over-bridge (overpass), *²: Road-under-bridge (underpass)

Junction Station and Crossing Station are planned at the following locations:-

No.	Station Name	Remarks
JS 1	JNPT JS	Connecting with loading/ unloading tracks in the port
CS 1	Nilje CS	
JS 2	Kharbao JS	Connecting with IR Kharbao Station

11.0 Technical Specifications and approved Vendors/Suppliers

11.1 Research Design and Standards Organizations (RDSO), Lucknow, India, an organization of Ministry of Railways, Government of India has standardized the technical specifications for various components of railway systems in India as Indian Railway and adopted to Indian conditions. The list of IRS Specifications issued by RDSO is available at the website of RDSO (www.rdsso.gov.in). The IRS Specifications can be purchased from RDSO.

11.2 The Employer's requirements to be included as part of the Bidding Document for this work will generally conform to the IRS Specifications.

11.3 RDSO maintains an approved list of suppliers/vendors for various equipments/items/components to be used on railway systems in India. Bidders shall be free to obtain equipments/items from the suppliers/vendors on approved list of RDSO or any other sources provided the equipment/item meets the technical requirements/acceptance criteria which will be indicated in the Bidding Document.

11.4 The list of suppliers/vendors approved for various items are available at the website of RDSO. Procedures for registration of the new suppliers/vendors for railway equipments/items are also available at the website of RDSO. The bidders are advised to visit the website of RDSO for further information about the registration of new products.

12.0 Utilities

12.1 The utilities have generally been identified as part of the field data collection by the Employer. However, there is always possibility of some of the unidentified utilities to be found during the construction period. These utilities shall be relocated as detailed below:

- (1) Indian Railways existing OHLE Structures and Traction Power Installations infringing with DFCC Structure shall be relocated/modified by the Employer.
- (2) All the trees (more than 300mm girth), identified structures, Electric Lines (other than 33 kV and below) shall be removed / relocated / modified by the Employer through relevant Owners.
- (3) All the trees (of girth 300mm or less), charted overground and underground utilities like water pipe lines, sewerage pipe lines, identified structures, uncharted utilities (if any) shall be removed / relocated / protected / handled as part of this Design and Built Contract.

13.0 Interfacing with Other Contractors

- 13.1 JNPT – Vaitarana Section shall be electrified with 2x25 kV Systems and provided with Automatic Signaling. Civil, Building and Track Works Contractor(s) appointed through this PQ exercise following the Single Stage-Two envelope Bidding process shall be required to interface, coordinate and cooperate with the project wide Systems Contractors engaged to execute the Signalling, Telecommunications, Electrification and SCADA Works in such a way that complete Railway System is commissioned successfully in a timely manner. Access to resources created by the Contractor will be made available to Other Contractors on mutually agreed terms amongst the Contractors.

2. Construction Period

- 2.1 The Project involves Design of Alignment, Formation, Bridges, Structures, Buildings and Track including Flyovers/ROB/RUB/Tunnels followed by construction, Integrated Testing and Commissioning, maintaining the constructed bridge(s) during the defect liability period for the axle load and speed potential defined in Para 9.1 (1) of Description of Works above.
- 2.2 The Construction Period will be around four (4) years (including Design, Construction, Tests on Completion) from the date of the Commencement. The Design-Build Contractor shall be required to plan the various components of Work in such a sequence that the complete Work is commissioned in the designated time period from the Commencement Date. This will be followed by the Defects Notification Period of two years from the date of Taking-over Certificate for whole of the Works.
- 2.3 Project Management Consultant appointed by DFCCIL will be the Engineer for the project and will perform the role as specified in Clause 3 Condition of Contract – Plant & Design Build FIDIC Yellow Book 1999 and as supplemented or amended through Particular Conditions of Contract.
- 2.4 As a part of the Bid Documents, the Pre-qualified Bidders will be provided with Employers Requirements, Concept Design, Specifications, Drawings and the other available indicated field data e.g. (i) Alignment Survey, (ii) Geotechnical, (iii) Hydrological Calculations for Discharge/HFL of Bridges etc.
- 2.5 The Site Data provided as a part of the Bid Documents by the Employer is based on the investigation carried out by the Employer. The Bidder shall interpret the Site Data in accordance with Sub-clause 4.10 in the Conditions of Contract – Plant & Design Build FIDIC Yellow Book 1999.
- 2.6 The Employer's Requirements / Specifications provided as part of the Bid Documents shall specify the procedural requirements for the preparation of the design of the Permanent and Temporary Works.
- 2.7 The Contractor shall engage the Designer who will undertake and prepare the Design of the Permanent Works and Temporary Works. The principal requirements of the Design Phase are the production of the Inception Report (including Preliminary Design), the Technical Design, Technical Drawings, Construction Design and Construction Drawings and As Built Record.
- 2.8 The Technical Design shall incorporate the Contractor's Technical Proposals and shall be the design developed to the stage at which all elements of the bridge structure are fully defined and specified. During the preparation of the Technical Design, the Contractor shall complete all surveys, investigations and testing necessary to complete the design of the Permanent Works.
- 2.9 Upon issuance of the Notice of No Objection, or a deficiencies list, by the Engineer in respect of the Technical Design Submission, normally within twenty eight days (28 days) of its submission by the Contractor, the Contractor shall complete the design in all respects and produce the Technical Drawings, the purpose of which is to illustrate all the Permanent Works and to issue the drawings governing construction.

3. Site and Other Data

3.1 Project Area

Package-11 is located at the southern end of Southern Section from JNPT to Vadodara of Phase-2 Project. The Works will be carried out between JNPT (which is located on the eastern side of Mumbai Bay at the opposite side of the centre of Mumbai City) and Vaitarana (102 km), through Raigarh and Thane districts of Maharashtra State. The proposed DFC alignment is planned basically parallel to Central Railway (Roha line and Panvel – Vasai Road line) towards north, with three detours at Kundevahal, Dativali and Vasai (total detour length of 22.34 km). The proposed alignment passes through hilly terrain for about 10km between Jasai and Dapoli and about 15km near Kharbao JS.

3.2 Hydrology

In Package-11 from JNPT to Vaitarana in Maharashtra, the main rivers (bridge span more than 100 m) encountering the DFC alignment are Ulhas River (Ch 53.944km) and Kamvadi River (Ch 64.705km).

All rivers in this stretch flow from East to West and are perennial mainly in nature.

The entire area is underlain by basaltic lava flows of upper Cretaceous to lower Eocene age. The shallow Alluvium formations of recent age also occur as narrow stretch along the major rivers flowing in the area.

3.3 Climate

The climatic conditions in Mumbai region of Maharashtra State, where the proposed DFC alignment of the whole of Package-11 lies, are described as follows:-

- The city of Mumbai is situated at the mouth of River Ulhas. Mumbai, by and large, observes humidity throughout the year. Since it rests in the tropical zone, moreover close to sea, it enjoys more or less same weather.
- Its climate can be broadly divided into three seasons, namely winters (November-February), summers (March-June) and monsoons (July-October). The months between March and October are characterized by high humidity, while dryness persists from November to February.
- During summers, the temperature rises up to 35°C and the climatic conditions flit around mugginess. Monsoons afflict the residents of Bombay with heavy showers. The temperature comes down to some extent, but extreme clamminess makes the conditions worse. Water-logging is a major problem in the city during this season.
- The Island City receives an annual rainfall of 2,200 millimeters. The months of October and November bring a respite from the heavy rains. However, winters appear at their apex in December and January. The weather remains pleasant during these months, where the temperature goes down to the minimum of 15°C. February too, offers an enjoyable climate.

Annual temperature and rainfall in Mumbai is recorded as follows:-

(Source: World Weather through Internet)

(Month)	Jan	Feb	Mar	Apr	May	June	July	Aug	Sep	Oct	Nov	Dec	(Year)
Mumbai													
Mean High Temp. (°C)	31	31	33	33	34	32	30	30	31	33	34	32	
Mean Low Temp. (°C)	17	18	21	24	27	27	26	25	25	24	21	19	
Precipitation (mm)	1	0	6	7	27	495	736	531	348	91	5	10	2,257

3.4 Access to Site

For Package 11 (JNPT - Vaitarana), the main access to the site areas from JNPT to Panvel is available from National Highway No. 4B. After Panvel, the access to site areas is available from National Highway No. 4, Mumbai Pune Expressway, National Highway No. 3, National Highway No. 222, National Highway No. 8 (Ajmer Road), Virar Kaner Road etc.

3.5 Transportation and Communications Facilities

Transportation and communication facilities are well developed in India. Those facilities along WDFC's alignment are described below,

- Track transportation by road is well developed in Western Area of India.
- Railway transportation is also well developed in this area.
- Cargos can be transported from Mumbai seaport.
- Nearest Airport for Package 11 is located at Mumbai.
- Public telephone facilities are well developed on the whole stretch of the WDFC alignment.
- Mobile phone facilities are also well developed on the whole stretch of WDFC alignment.
- Internet access is available in the whole country of India with wire or wireless. Connection speed is depending on the service providers.

3.6 Medical Facilities:

- General hospitals are available in Major cities such as Mumbai etc.
- Other hospitals are also available in every city area.
- Clinics are also available in villages along with WDFC alignment.
- Injections are all disposal type in order to prevent from transfer of any type of diseases.

ANNEXURE 1

EVALUATION CRITERIA

1.00 GENERAL EVALUATION RULES

1.01 Generally

- (a) Evaluation of the Applications will be undertaken by DFCCIL with the assistance of the Consultant based upon the information submitted by the Applicants in response to this Invitation for Prequalification.
- (b) All Application Forms contained in this Document must be fully and properly completed and all must be returned, as they will be reviewed exactly as submitted and errors or omissions will be counted against the Applicant.
- (c) At their own option, DFCCIL may request further clarification or confirmation of any aspects which they feel will assist in the evaluation process.
- (d) DFCCIL reserves the right to waive minor deviations or omissions in any Application if, in their opinion, they do not materially affect the capability of an Applicant to perform the Contract.
- (e) Any Applicant who is found out to have intentionally submitted false or inaccurate statements/information shall be disqualified from the Bidding process, and may also be disqualified from all future projects of DFCCIL.

1.02 Basic Method of Evaluation

- (a) Evaluation of the Prequalification Applications shall be made successively in two (2) Stages, on the following basis:

Stage 1: Preliminary Screening

Administrative Evaluation with eligibility - **Pass or Fail Basis.**

Stage 2: Minimum Requirements Evaluation

Annual Turnover, Previous Experience, Financial Position, Litigation History, - **Pass or Fail Basis.**

- (b) Minimum qualification criteria have been established for each item in each Stage.
- (c) Applications failing to reach such minimum criteria in any Stage will be deemed to have failed the evaluation process at that Stage.

2.00 STAGE 1 PRELIMINARY SCREENING (ADMINISTRATIVE EVALUATION)**2.01 General**

- (a) Under this Stage, Applications will be reviewed to check general compliance with the submission requirements of this Prequalification Document.
- (b) Evaluation will be made on a Pass or Fail Basis.
- (c) If, following this Stage 1 review, an Applicant has failed to comply with any item, the Application will fail the evaluation at this Stage.
- (d) The following aspects will be reviewed at this Stage:
 - (i) Completeness of submission, correct legal authority of the Applicant's official representative (Authorised Signatory), letter of intent to enter into a Joint Venture (in case of joint venture / association), correct signing and initialing of pages and general compliance with all of the submission requirements of this Prequalification Document;
 - (ii) Lack of submission of any of the official Application Forms without obvious reason;
 - (iii) Lack of signature by the Applicant's Authorised Signatory on any of the official Application Forms;
 - (iv) Lack of Power of Attorney or Notarial Certificates for the Applicant's Authorised Signatory on Form ELI 1.1;
 - (v) Lack of Signature by an Independent Public or Chartered Accountant on Form FIN-3.1 and Form FIN-3.2;
 - (vi) In the case of joint ventures, lack of signature of all partners or lack of Power of Attorney on Form ELI-1.2.

3.00 STAGE 2 MINIMUM REQUIREMENTS EVALUATION (ANNUAL TURNOVER, PREVIOUS EXPERIENCE)

3.01 Generally

- (a) Applications which have passed the Stage 1 Evaluation will be reviewed to ascertain whether the Applicant has complied with the Minimum Prequalification Requirements as stipulated in the Qualification Criteria and Requirements (Section III).
- (b) Evaluation will be made on a Pass or Fail Basis.
- (c) If, following this Stage 2 review, an Applicant has failed to comply with any item, the Application will fail the evaluation at this Stage.
- (d) The various aspects listed in the following Paragraphs will be reviewed at this Stage:

3.02 Eligibility

- (a) Applications will be checked for compliance with Qualification Criteria and Requirements Para 1.1 to 1.4.

3.03 Historical Contract Non-Performance

- (a) Applications will be checked for compliance with Qualification Criteria and Requirements Para 2.1 and 2.2, considering the year, the number and the nature of any disputes.
- (b) Applicants, or each Partner of a Joint Venture and each specialist Sub-Contractor / Design Sub-Consultant, will be evaluated separately.
- (c) Non-performance of a contract did not occur within the last number of years specified in the Prequalification Documents, prior to the deadline for application submission based on all information on fully settled disputes or litigation.
- (d) All pending litigation shall in total not represent more than the percentage, specified in the Prequalification Documents, of the Applicant's net worth and shall be treated as resolved against the Applicant.

3.04 Net Worth

- (a) Applications will be checked for compliance with Qualification Criteria and Requirements (QCR) Para 3.1.
- (b) In the case of joint ventures, the requirement on net worth shall be met individually by each Partner of the joint venture in accordance with QCR Para 3.1.

3.05 Average Annual Turnover

- (a) Applications will be checked for compliance with Qualification Criteria and Requirements Para 3.2.
- (b) In the case of joint ventures, the summary of relevant data on annual turnover for each of the Partners will be checked to ensure the correct addition for the joint venture's total collective ability.

3.06 Previous Experience

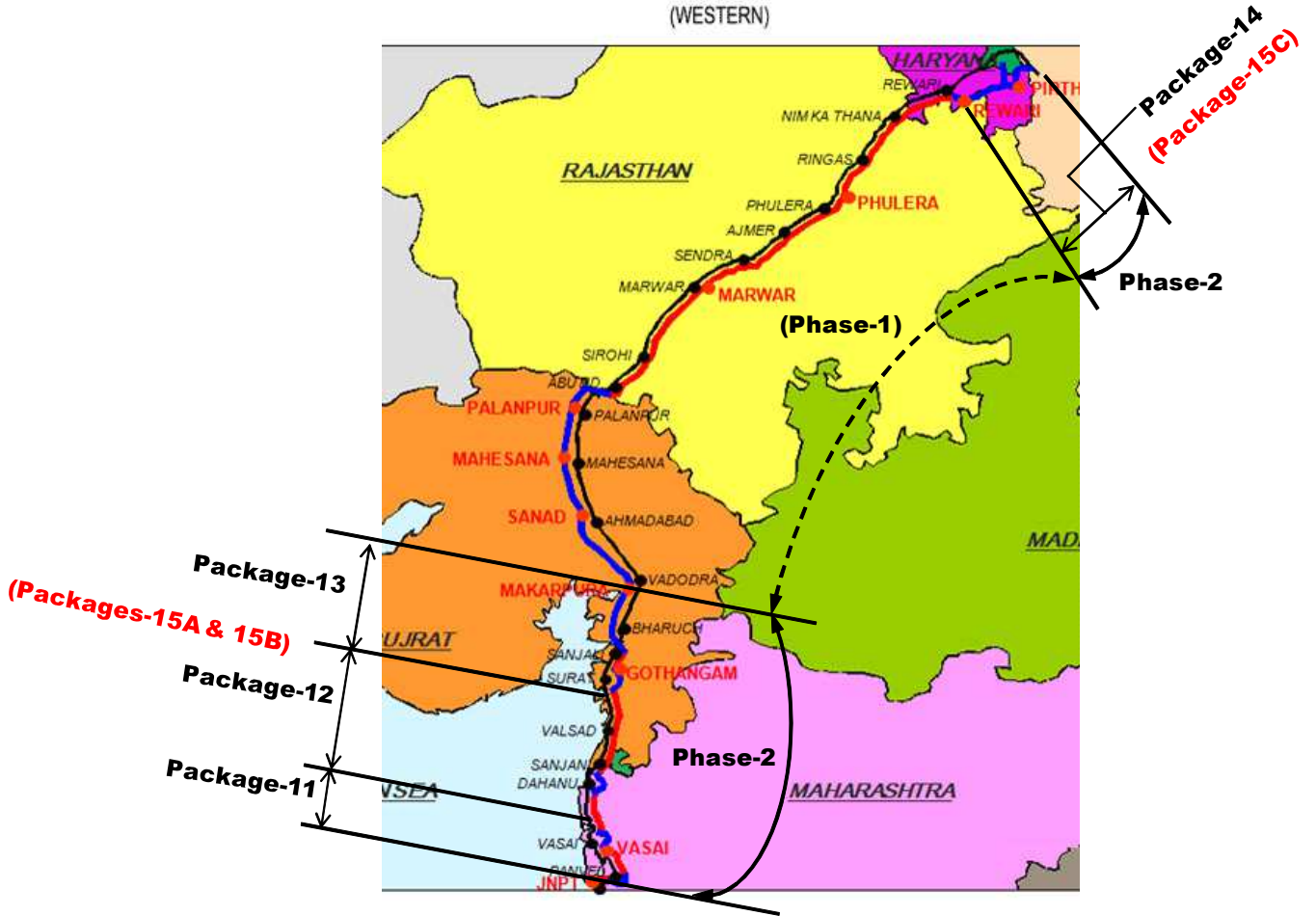
- (a) Applications will be checked for compliance with Qualification Criteria and Requirements of Para 4.1, 4.2 (a), 4.2(b), 4.3(a) and 4.3(b) for the Package.
- (b) The Applicant must meet all of the particular requirements of the Instructions to Applicants in order to pass this stage of the Evaluation.

3.07 SELECTION AND PREQUALIFICATION OF APPLICANTS

- (a) The result of Prequalification shall be subject to the approval of DFCCIL and the review and concurrence of JICA.
- (b) Applicants who pass all stages of the evaluation as approved by DFCCIL and reviewed and concurred by JICA, will be deemed to have passed the Prequalification process, and then they will be invited to bid for the succeeding Tender to be invited by DFCCIL.

ANNEXURE 2 GENERAL LOCATION MAP

डेडीकेटेड फ्रेट करीडोर
DEDICATED FREIGHT CORRIDOR
(WESTERN)



ANNEXURE 3

SITE PHOTOS

Project Photos for Package-11 (L= 102km)



(1) ROB on JNPT Approach
(To be reconstructed)



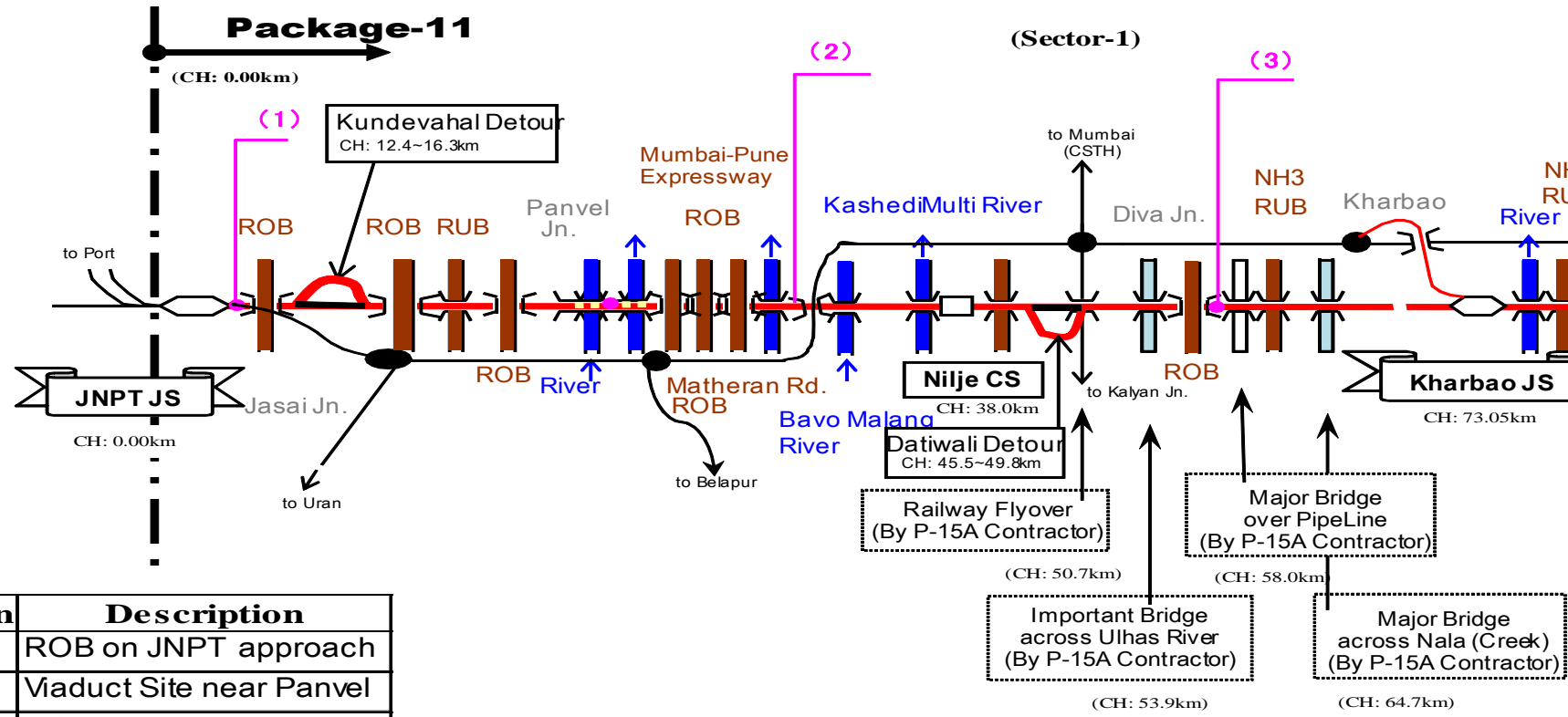
(2) Site near Panvel
(Viaduct to be constructed)



(3) ROB near Ulhas River
(To be reconstructed)



(4) Vasai Detour Section
(View to South Tunnel)



Location	Description
1	ROB on JNPT approach
2	Viaduct Site near Panvel
3	ROB near Ulhas River
4	Vasai Detour Section

LEGEND					
	JS(Junction Station)		Bridge		DFC Alignment
	CS(Corssing Station)		River		Existing Line(Paralle/Overpass)
	Existing Major Station				Major Road
Note: Km Chainage is approximate and for reference only.					