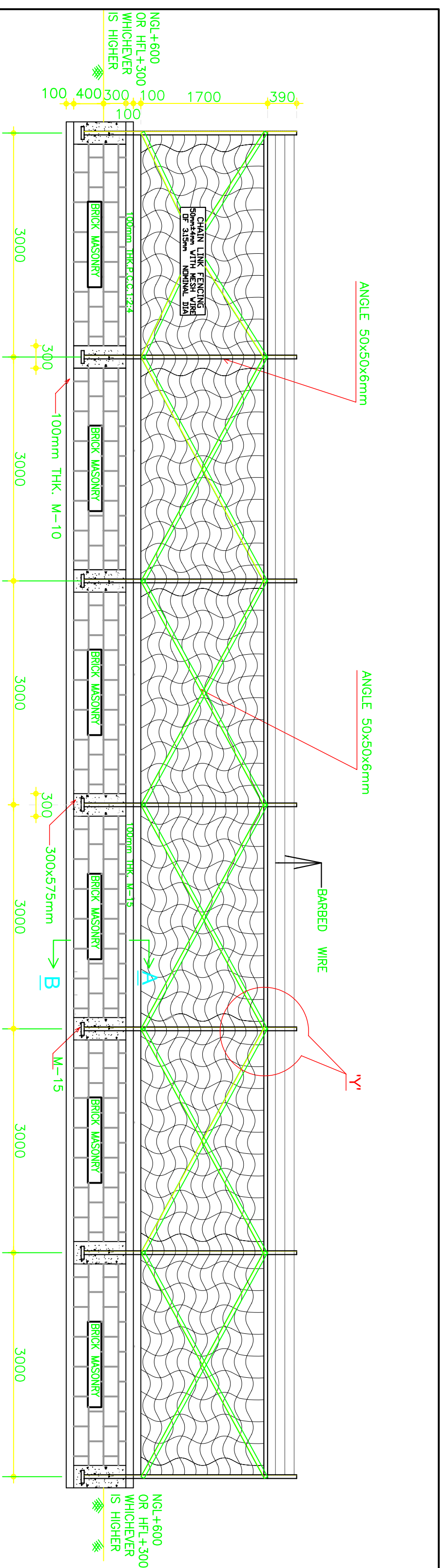
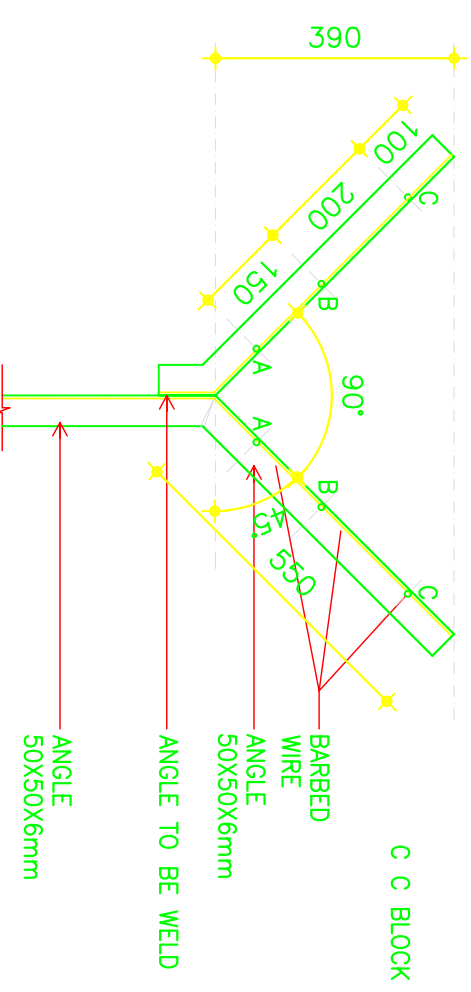


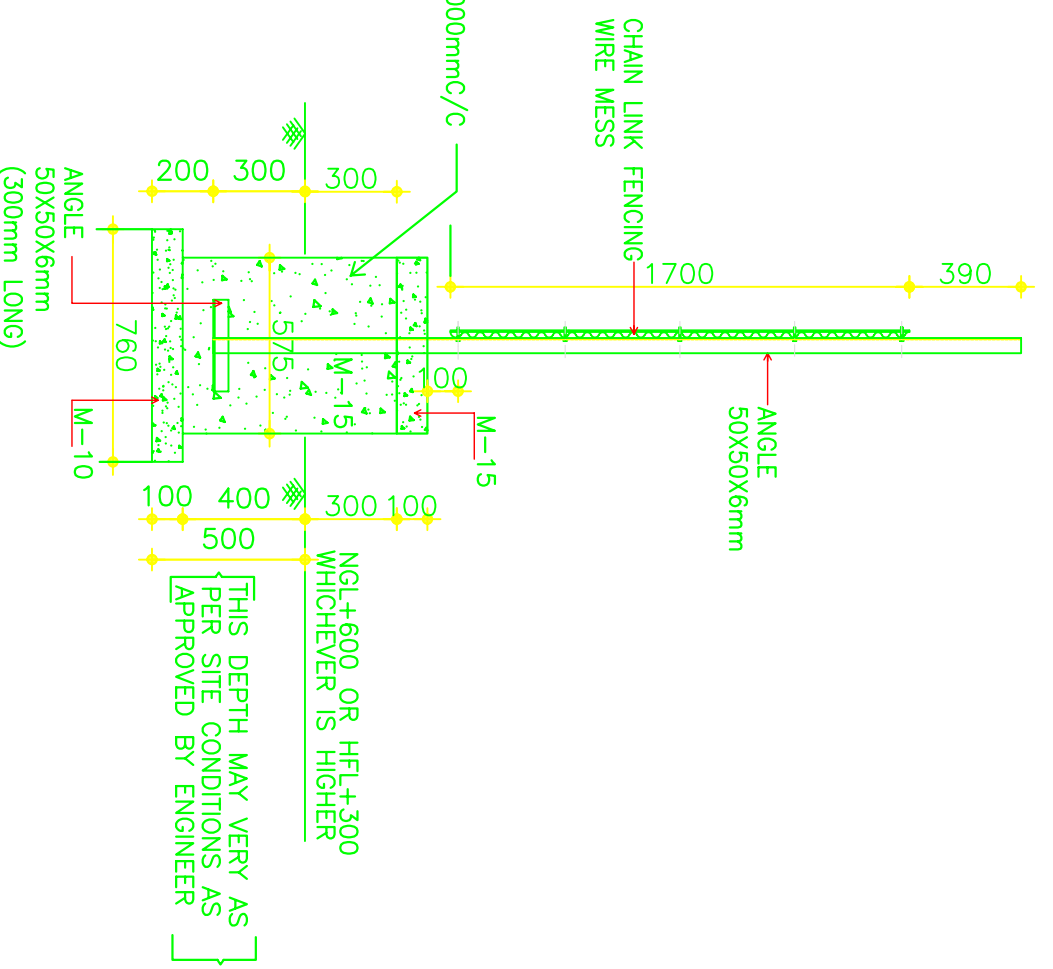
9.12.2013



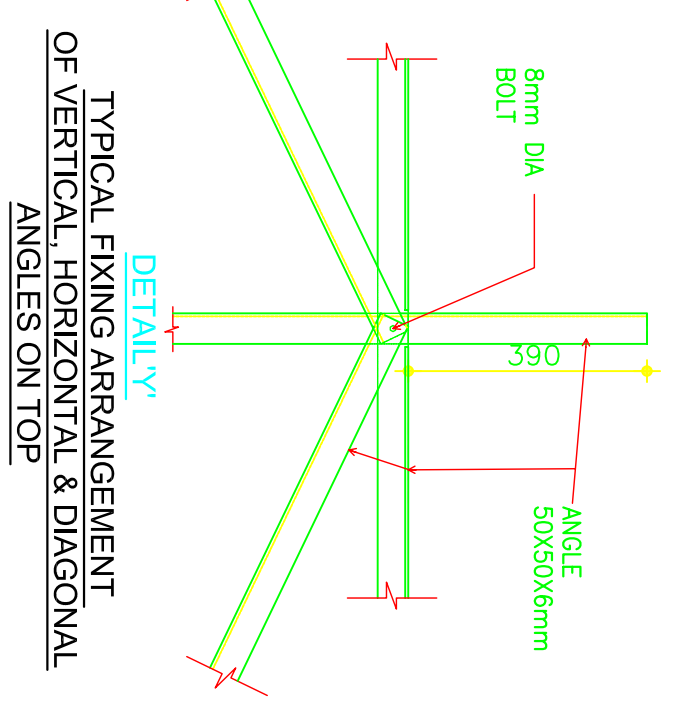
TYPICAL DRAWING FOR CHAIN LINK FENCING



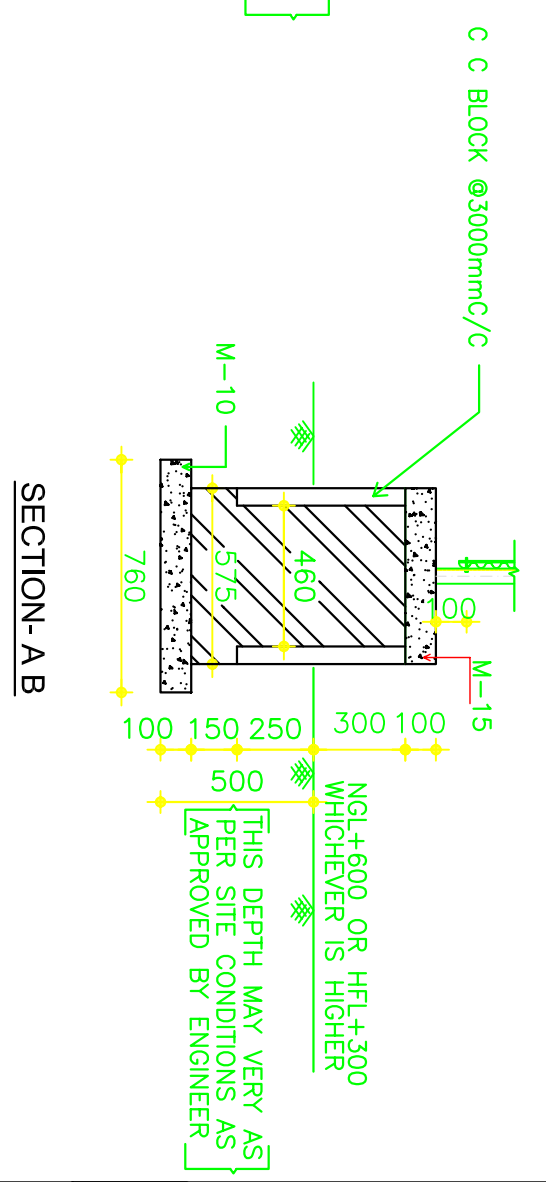
TYPICAL ARRANGEMENT OF Y-POST AND BARBED WIRE



TYPICAL FIXING ARRANGEMENT OF FLAT TO HOLD CHAIN LINK FENCING



TYPICAL FIXING ARRANGEMENT OF VERTICAL, HORIZONTAL & DIAGONAL ANGLES ON TOP



SECTION- A B

NOTES:-

1. ALL DIMENSIONS ARE IN MILLIMETERS UNLESS NOTED OTHERWISE
2. WRITTEN DIMENSIONS ARE TO BE FOLLOWED. DRAWINGS ARE NOT TO BE SCALED.
3. ANY DISCREPANCY IN THE DRAWING SHALL BE BROUGHT TO THE NOTICE OF THE ENGINEER
4. EXPANSION JOINTS IN MASONRY AND ALSO IN CHAIN LINK SHOULD BE PROVIDED AT REGULAR INTERVAL OF (30M C/C)
5. THE MESH SIZE OF CHAIN LINK SHOULD BE 50mm±4mm AND MESH WIRE SHOULD HAVE A NOMINAL DIAMETER OF 3.15mm
6. DEPTH OF FOUNDATION BELOW FILLED UP LEVEL IS TENTATIVE. THIS MAY BE INCREASED BY ENGINEER AS PER SITE CONDITION.
7. THE LOCATION AND STATION, WHERE THIS CHAIN LINK FENCING IS TO BE PROVIDED, WILL BE AS PER EMPLOYER'S REQUIREMENTS.
8. WIRE MESH AND ANGLE SHALL BE PROPERLY FIXED WITH SUITABLE FIXTURE.

INDICATIVE DRAWING

DEDICATED FREIGHT CORRIDOR CORPORATION OF INDIA LTD.

TYPICAL GENERAL ARRANGEMENT DRAWING FOR CHAIN LINK FENCING

SCALE	N.T.S.
DWG. NO.	DPC/CHAIN LINK FENCING/TTP-001

COPYRIGHT  
THIS DRAWING IS THE PROPERTY OF DPCCL IT SHALL NOT BE REPRODUCED, COPIED, USED IN ANY MANNER OR HANDED OVER TO ANY OTHER PERSON OR PARTY, WITHOUT THE PRIOR PERMISSION OF DPCCL.